



Instruction Manual

BLIND CHAIR

Armrest Adjustable & Removable

**Maximum Weight Capacity
(User and Equipment)
300 pounds / 136kgs**

**KEEP INSTRUCTION MANUAL AND IT
MUST ACCOMPANY THIS PRODUCT
AND BE TRANSFERRED WITH IT UPON
CHANGE OF OWNERSHIP, WHEN
LOANED, OR PRESENTED TO ANOTHER
PERSON.**

⚠ WARNING

**FAILURE TO FOLLOW THESE INSTRUCTIONS CAN RESULT IN
SERIOUS INJURY OR DEATH!**

YOU MUST READ, UNDERSTAND, FOLLOW ALL WARNINGS AND INSTRUCTIONS BEFORE USING THIS PRODUCT!

DO NOT EXCEED Maximum Weight Limit - 300lbs / 136kgs. Exceeding this limit will damage chair and may cause personal injury.

GROUND USE ONLY! NEVER USE AT HEIGHTS ABOVE GROUND LEVEL!

USE ONLY ON LEVEL SURFACE.

If chair is not stable or tips, do not use and select another level surface.

ALWAYS BE SURE ALL LEG SPRING PINS ARE ENGAGED THROUGH LEGS AND CHAIR IS BEFORE USING CHAIR.

DO NOT tip or lean back to tip chair while seated.

DO NOT use for any purpose other than intended use.

Pinch Hazard, to avoid injuries to hands and fingers, use care when folding arm rests, seat base, and adjusting the spring pin.

Before each use, inspect chair for damage. **DO NOT USE IF ANY DAMAGE IS VISIBLE OR SUSPECTED**, including but not limited to cuts, frayed portions, corrosion, or other damage to chair. If damage is visible or suspected, **DO NOT USE THE PRODUCT**. If there are any questions, **DO NOT** use the product.

Do not modify, jump, bounce or stand on this product.

Always keep all flame and heat sources away from this chair. Fabric may burn if left in contact with any flame or heat source.

Always follow safe weapon/firearm handling practices.

Parts List 3

Product Diagram 3

Assembly Instructions 4

Removal Instruction 5



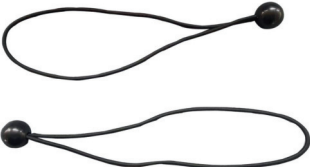
Use 6

Maintenance and Storage 6

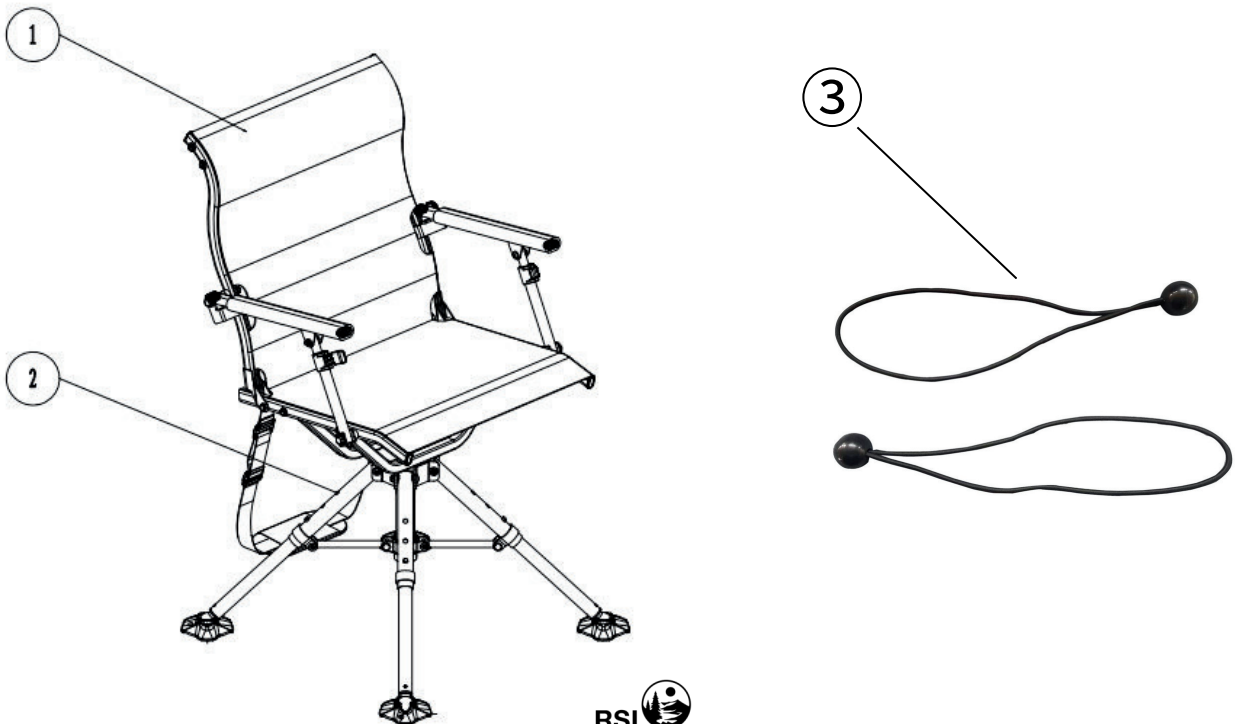
Note: Before beginning assembly of product, make sure all parts are present. Compare parts with package content list and hardware contents. If any part is missing or damaged, do not attempt to assemble the unit. Contact customer service for replacement parts.

Parts List

Note: Before beginning assembly of product, make sure all parts are present. Compare parts with package content list and hardware contents. If any part is missing or damaged do not attempt to assemble the unit. Contact customer service for replacement parts.

1	Seat		Qty 1
2	Base		Qty 1
3	Bungee Cords		Qty 2

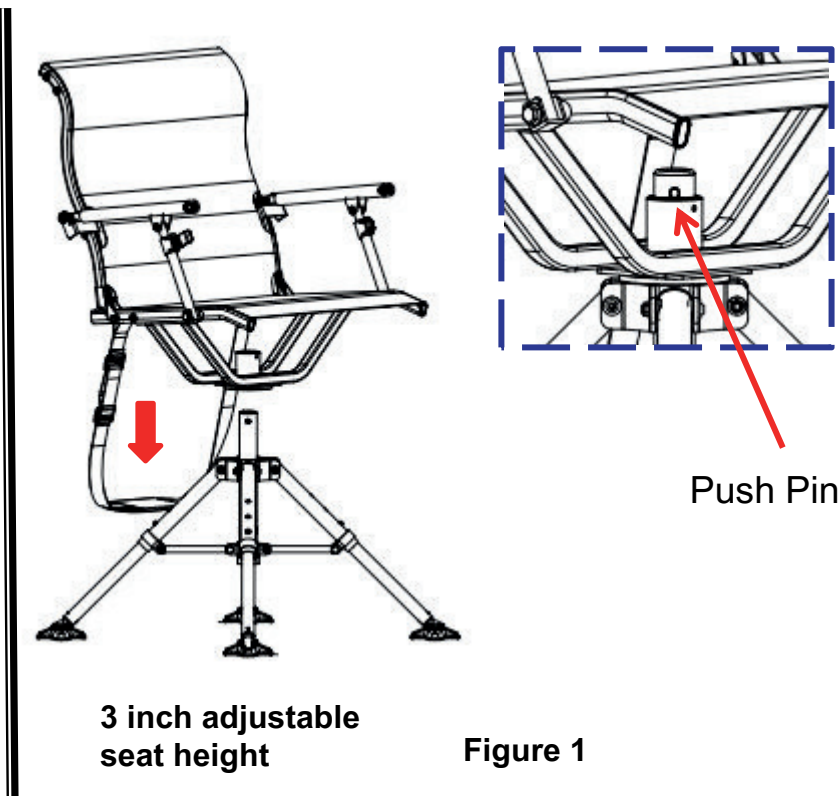
Product Diagram



Assembly Instruction

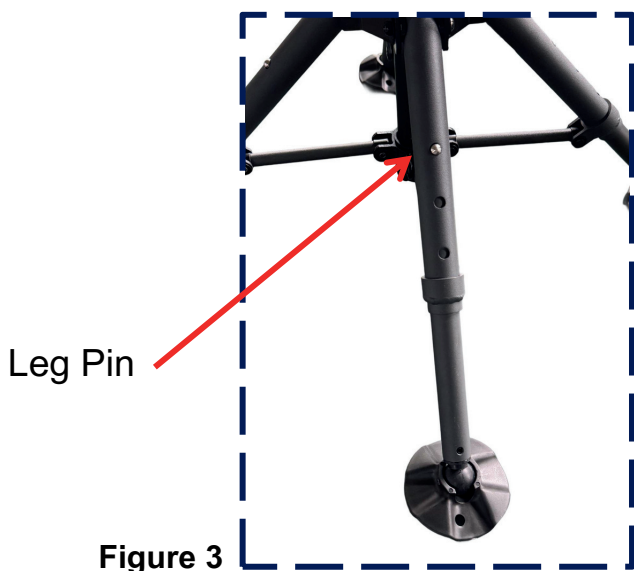
Step 1:

Slide seat onto base until push pin on the post of the base is above the mating cylinder on the seat as shown in figure 2



Noted:

- The height of each leg can be independently adjusted ;Adjust height by pressing spring pin on leg and pull leg out (higher seat height) or push leg in (lower seat height) until spring pin engages through leg as shown in figure 3.
- Arm height can be independently adjusted using the compression locks on the side of each arm as shown in figure 4.
- **Warning!** ALWAYS CHECK ALL LEG SPRING PINS ARE ENGAGED THROUGH LEGS AND CHAIR IS LEVEL BEFORE USING CHAIR.



Removal Instruction

Step 1:

Disassemble the seat from the base by pushing in the push pin on the post of the base and sliding the post away from mating cylinder on the seat; Collapse the seat by folding the back portion of the seat flat; Collapse the leg by compressing the legs inward so that the inner sleeve slides upward on the post of the base as shown in figure 5.



Figure 5

Step 2:

To carry your chair, nest the seat and the base as shown in figure 6. Secure the two sections together utilizing the supplied bungee cords; Carry the chair using the shoulder strap.



Figure 6

USE

WARNING

USE ONLY ON LEVEL SURFACE. If chair is not stable or tips, do not use and select another level surface.

ALWAYS BE SURE ALL LEG SPRING PINS ARE ENGAGED THROUGH LEGS AND CHAIR IS LEVEL BEFORE USING CHAIR.

ALWAYS BE SURE ALL LEGS ARE CONTACTING GROUND AND SEAT IS LEVEL BEFORE USING CHAIR.

DO NOT tip or lean back chair while seated.

To avoid injuries to fingers and pinch hazards, use care when folding legs.

Before each use, inspect chair for damage. **DO NOT USE IF ANY DAMAGE IS VISIBLE OR SUSPECTED**, including but not limited to cuts, frayed portions, corrosion, or other damage to chair. If damage is visible or suspected, **DO NOT USE THE PRODUCT**. If there are any questions, **DO NOT** use the product and contact customer service for assistance.

FAILURE TO FOLLOW THESE INSTRUCTIONS CAN RESULT IN SERIOUS INJURY OR DEATH!

Place Chair on a level surface with foot pads flat on the surface. While next to the chair, adjust the adjuster leg so the chair is level and foot pads are flat on the surface. Lock adjuster leg into position. While next to chair, adjust seat height as shown in assembly instructions so seat height is at comfortable height.

Chair is ready to be used.

MAINTENANCE AND STORAGE

WARNING

Do not modify this product in any way by making repairs, replacing parts, altering, adding or attaching anything to it.

Use only our authorized replacement parts. The use of unauthorized replacement parts may result in serious injury or death.

Proper maintenance and inspection is required for this product.

This product is used to support your weight. Never use a chair that is damaged in any way. Do not use if it is not wholly free of damage or assembled properly.

If you have questions, contact customer service for assistance.

Failure to follow these instructions can lead to serious injury or death.

Spot wash with cold water and mild detergent as needed. Do not store chair if wet. Dry thoroughly before storing to prevent mold. Store chair indoors in a cool dry location out of direct sunlight, harmful chemicals and excessive heat and dust.