



INSTRUCTION MANUAL

BLIND SLED – BLIND6X6-SLED

WHEN YOU SEE A **“WARNING!”**
MAKE SURE TO READ THE MESSAGE!
THE INFORMATION CONTAINED IN
THIS MESSAGE CAN SAVE A LIFE!

2555 DELTA ROAD BROGUE, PA 17309 (HQ) 717-927-1555

22874 K138 HWY PAXICO, KS 66526 785-499-3900

MAIL@RSIOUTDOORS.COM

WWW.RSIOUTDOORS.COM

TABLE OF CONTENTS

IMPORTANT SAFETY INFORMATION	2-3
HARDWARE, PARTS, AND TOOLS LIST	4
WEIGHT CAPACITY	4
BLIND SLED INSTRUCTIONS	5-8

IMPORTANT SAFETY INFORMATION

WARNING! This RSI Outdoors™ product is subject to strict maximum weight limits. Do NOT use this product if the combined weight of all users and equipment exceeds the specified capacity. Exceeding the allowable weight may cause equipment failure and can result in severe injury or death.

Thank you for selecting an RSI Outdoors™ product. For your personal safety, read this entire instruction manual carefully before assembling, installing, removing, or using this product in any way. Failure to follow the instructions and warnings in this manual may result in severe injury or death.

If you have questions regarding assembly, installation, removal, or operation of this product—or any other RSI Outdoors™ product—please contact our customer support team at 717-927-1555 (HQ) 785-499-3900 (KS) or email mail@rsioutdoors.com. Our representatives are available to assist with questions.

If any parts are missing or damaged when the product is first opened, do not attempt to use it. Return the product to the retailer where it was purchased for replacement.

Throughout this manual, “**WARNING!**” notices are used to highlight important safety information. These warnings identify conditions or actions that could result in injury, death, or property damage if ignored.

WARNING! Failure to carefully read and strictly follow the instructions in this manual may result in severe injury or death.

WARNING! Safe use of this product is entirely the responsibility of the user. The product owner is responsible for ensuring that anyone who borrows, uses, or purchases this product receives and understands this instruction manual. Failure to do so may result in severe injury or death and may expose the user or owner to legal liability under applicable U.S. laws.

USER HEALTH AND PHYSICAL CONDITION WARNINGS

WARNING! DO NOT use this or any other RSI Outdoors™ product if you have a medical or physical condition that could interfere with safe use. This includes, but is not limited to, heart conditions, back or spinal issues, impaired vision, joint instability, spinal fusion, balance disorders, high blood pressure, fatigue, or any condition that limits coordination or judgment.

Do not use this product while taking medications (including prescription drugs) or consuming substances, including alcohol, that may impair alertness or physical ability. Never use a freestanding elevated platform if you feel ill, dizzy, or nauseous. Failure to follow this warning may result in severe injury or death.

PRODUCT MODIFICATION AND USE WARNINGS

WARNING! DO NOT remove, alter, repair, replace, or modify any component of this product or its assemblies. Unauthorized modifications, misuse, or substitution of parts may weaken the structure and result in severe injury or death. Do not add or attach anything to this product unless specifically approved in writing by the manufacturer.

WARNING! DO NOT use the sled while any person is occupying the blind.

HUNTING SAFETY WARNINGS

WARNING! Before each hunt, notify a responsible person of your hunting location and your expected return time. Failure to do so may delay emergency assistance and result in severe injury or death.

WARNING! This product is intended for adult use only. Individuals under the age of sixteen (16) must not use this product without direct adult supervision. Failure to follow this warning may result in severe injury or death.

WEATHER, USE, AND SAFETY WARNINGS

WARNING! DO NOT use this or any other RSI Outdoors™ product if ice, snow, freezing rain, or similar conditions are present on any part of the stand or climbing surfaces. Do not use this product when thunderstorms are occurring or forecasted within five (5) miles (8 km) of your location. Avoid use during any unsafe or severe weather conditions, including but not limited to high winds, lightning, heavy rain, sleet, or snow that could interfere with safe operation. If dangerous weather develops while you are using this product, descend immediately and seek appropriate man-made shelter. Failure to follow this warning may result in severe injury or death.

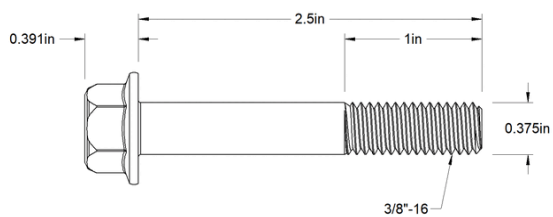
WARNING! Inspect this product and all related RSI Outdoors™ components before every use. Look for signs of damage such as excessive wear, rust, corrosion, cracking, rot, or material deterioration. Do not store or leave the sled exposed for extended periods to direct sunlight, extreme heat, or freezing temperatures. If any damage or degradation is observed, do not use the product. Failure to follow these instructions may result in severe injury or death.

WARNING! DO NOT bend, cut, weld, heat, alter, repair, or otherwise modify this sled assembly. Do not attach accessories or components unless specifically authorized in writing by the manufacturer. Any unauthorized modification may weaken the structure and result in severe injury or death.

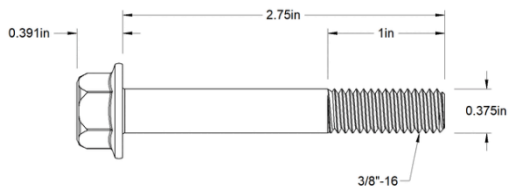
WARNING! DO NOT assemble or place this RSI Outdoors™ product near electrical equipment or power sources, including but not limited to power lines, transformers, generators, or substations. Contact with electrical systems can result in severe injury or death.

BLIND SLED HARDWARE

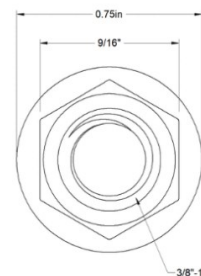
A - 8



B - 16



C - 24



PART NAME	PART NUMBER	PART QUANTITY
SLED SKI	3650-1006	2
MID BRACE	2650-1007	4
SUPPORT BRACE	2650-1008	2
PLATFORM BASE	2650-1000	1

TOOLS REQUIRED

TWO 9/16" WRENCHES

WEIGHT CAPACITY

PRODUCT	CAPACITY
BLIND SLED	750 lbs.

BLIND SLED INSTRUCTIONS

BLIND SLED – BLIND6X6-SLED

STEP 1 – ATTACH SUPPORT BRACES TO SLED SKIS

Locate **(2) sled skis** and **(2) support braces**.

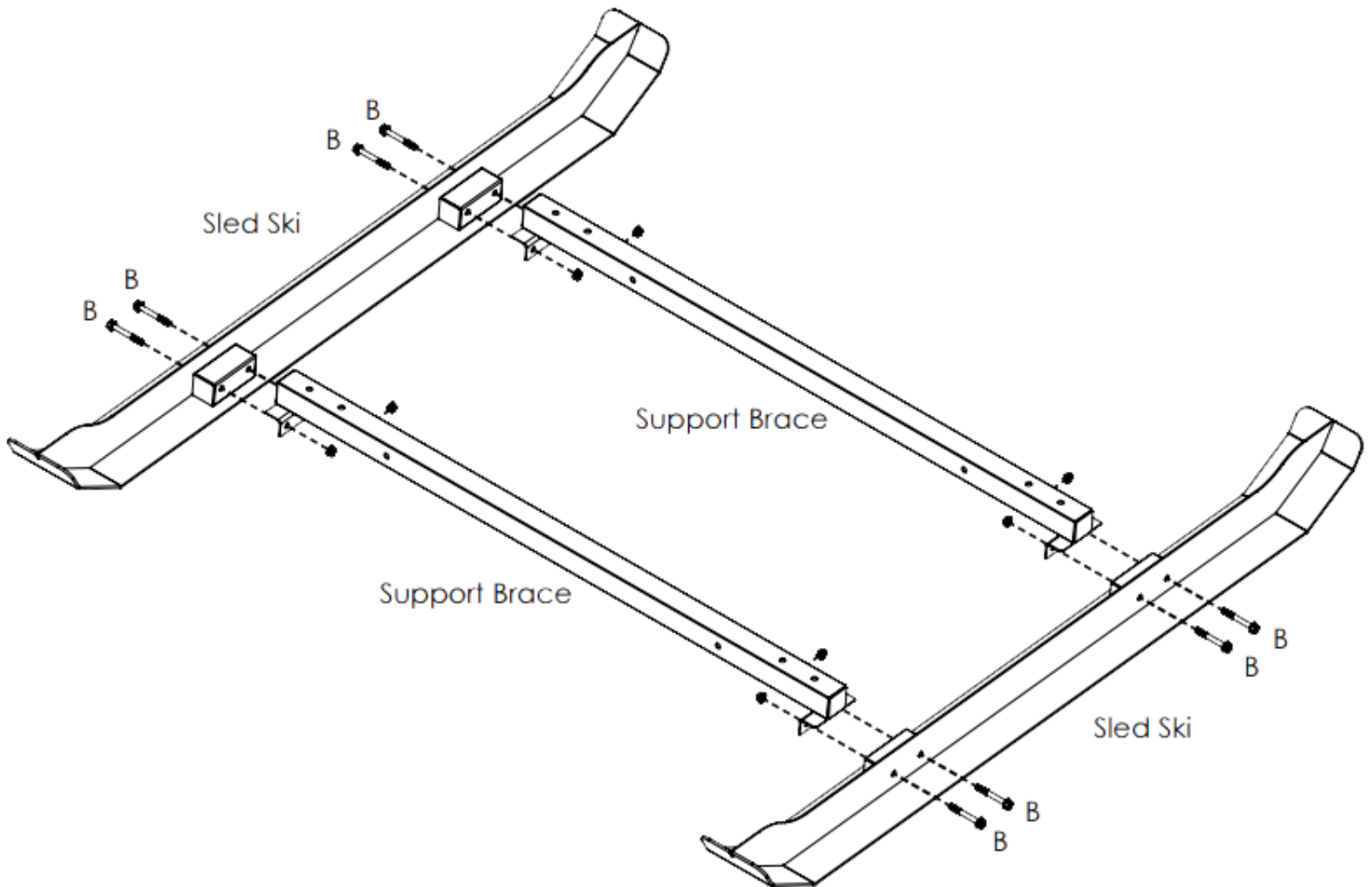
Position the support braces onto the sled skis as shown in the assembly illustration.

Using the following hardware:

- **(8) 3/8"-16 X 2.75" bolts [B]**

Secure the support braces to the sled skis at **(8) mounting locations**.

Leave all fasteners finger-tight until instructed to fully tighten.



STEP 2 – INSTALL MID BRACES

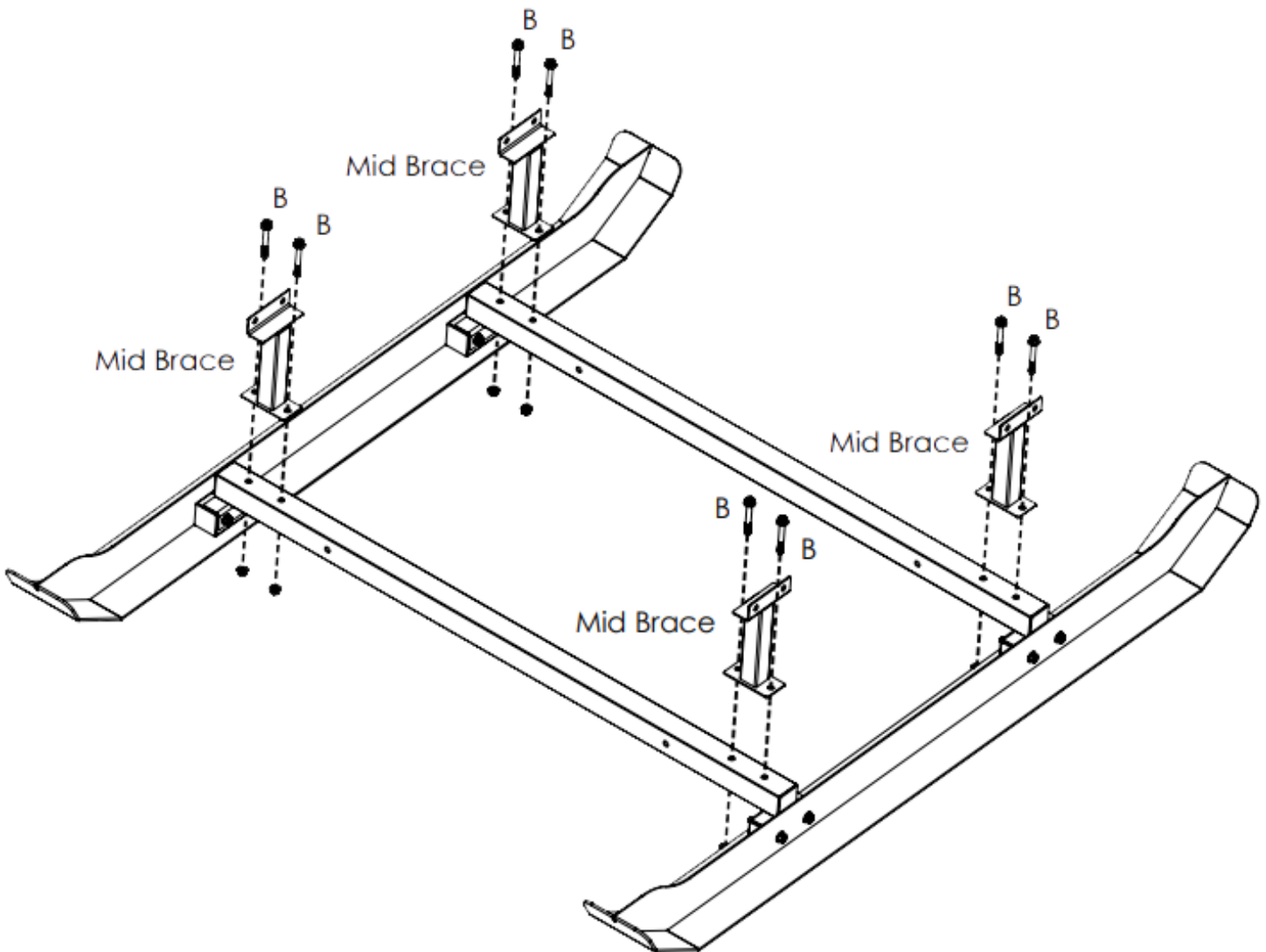
Locate **four (4) mid braces** and the **two (2) support braces** already attached to the sled skis.

Position the mid braces as shown in the assembly illustration and secure them to the support braces.

Using the following hardware:

- **(8) 3/8"-16 X 2.75" bolts [B]**

Leave all fasteners finger-tight until instructed to fully tighten.



BLIND SLED – BLIND6X6-SLED

STEP 3 – ATTACH PLATFORM BASE

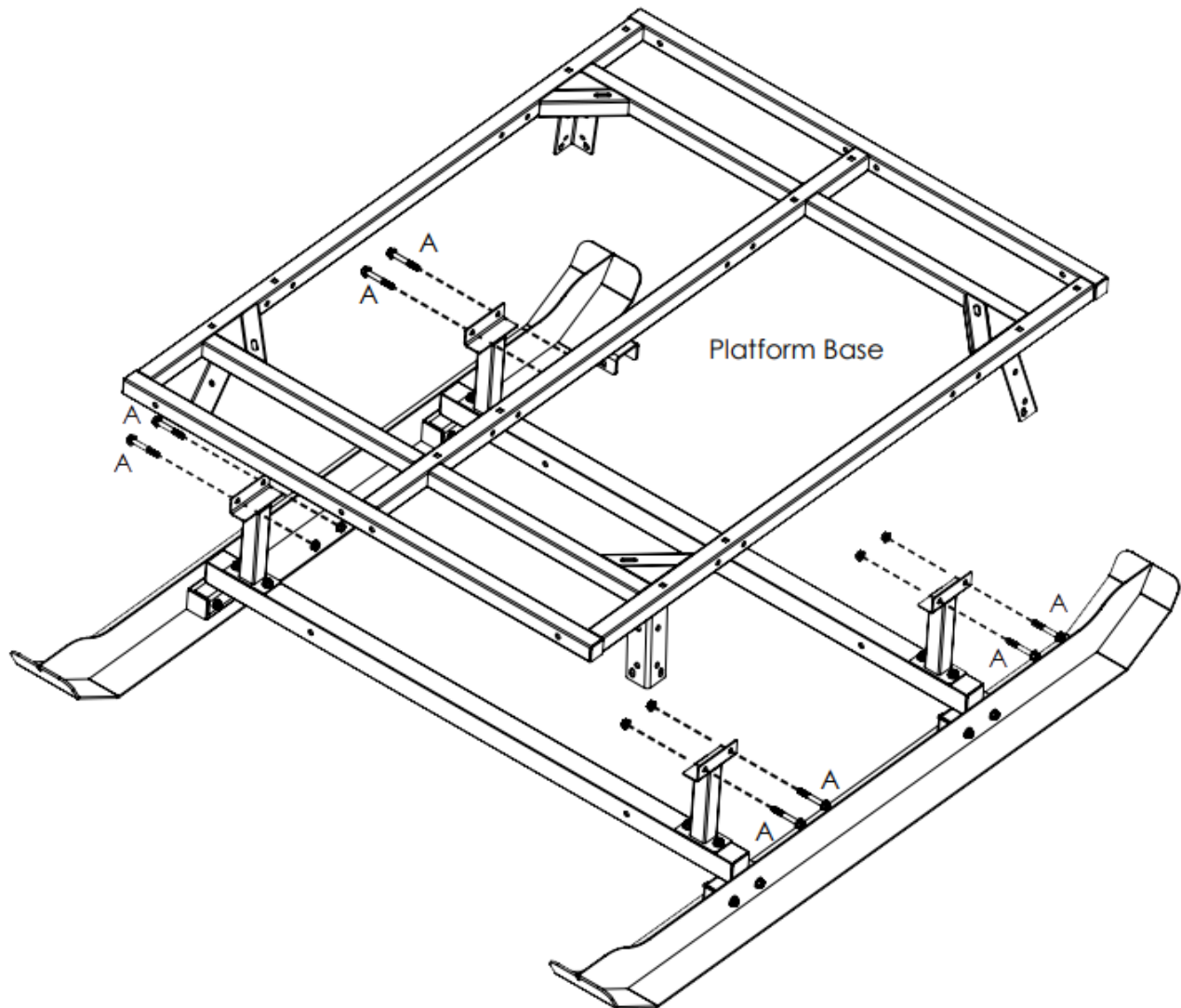
Locate **one (1) platform base**.

Position the platform base onto the four **(4) mid braces** as shown in the assembly illustration.

Using the following hardware:

- **(8) 3/8"-16 X 2.5" bolts [A]**

Secure the platform base at **eight (8) mounting locations**. Leave all fasteners finger-tight until instructed to fully tighten.



STEP 4 – FINAL HARDWARE TIGHTENING

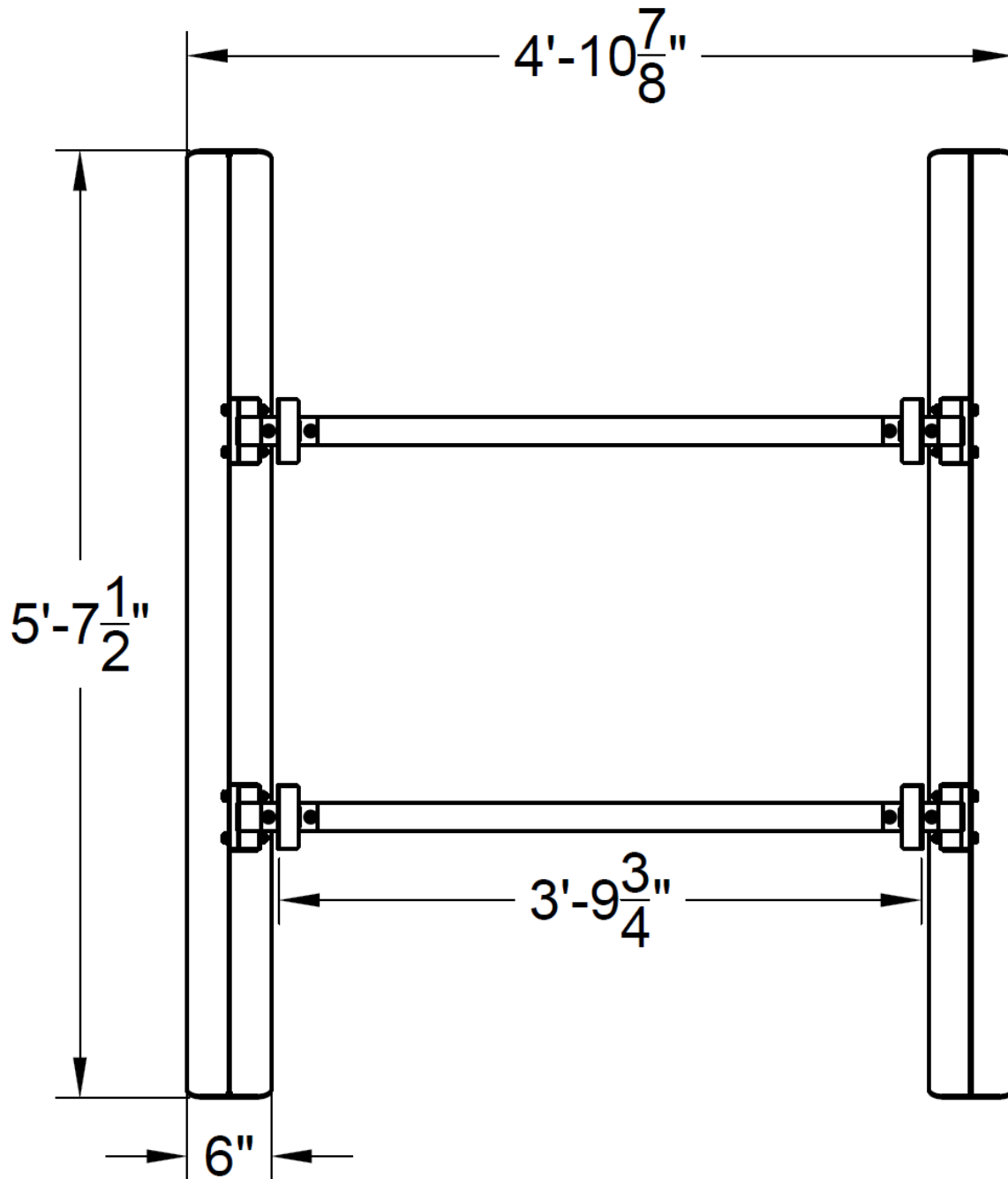
At this stage of assembly, fully tighten all nuts and bolts to their specified torque. Verify that all fasteners are secure before proceeding.

STEP 5 – POSITION AND LEVEL THE SLED

Move the RSI Outdoors™ Blind Sled kit to its intended installation location. Confirm that the structure is stable and level on the ground surface.

NOTE: ACHIEVING PROPER LEVEL MAY REQUIRE REMOVING SOIL BENEATH ONE SKI SUPPORT. ENSURE ALL ADJUSTMENTS ARE MADE WITH THE SLED FULLY SUPPORTED AND STABLE BEFORE USE.

SLED FOOTPRINT



READ THE INSTRUCTIONS CAREFULLY BEFORE USING THIS PRODUCT



2555 DELTA ROAD BROGUE, PA 17309 (HQ) 717-927-1555

22874 K138 HWY PAXICO, KS 66526 785-499-3900

MAIL@RSIOUTDOORS.COM

WWW.RSIOUTDOORS.COM
