

RSI OUTDOORS

INSTRUCTION MANUAL

5 FT TOWER & PORCH – BLIND6X6-5

5 FT TOWER EXTENSION – BLIND6X6-10

7X7 BASE EXTENSION – BLIND7X7-B-EXT

WHEN YOU SEE A **“WARNING!”**
MAKE SURE TO READ THE MESSAGE!
THE INFORMATION CONTAINED IN
THIS MESSAGE CAN SAVE A LIFE!

2555 DELTA ROAD BROGUE, PA 17309 (HQ) 717-927-1555

22874 K138 HWY PAXICO, KS 66526 785-499-3900

MAIL@RSIOUTDOORS.COM

WWW.RSIOUTDOORS.COM

TABLE OF CONTENTS

IMPORTANT SAFETY INFORMATION	2-4
HARDWARE LIST AND ASSEMBLY	5
PARTS AND TOOLS REQUIRED	6
WEIGHT CAPACITY	6
5 FT STAND FOOTPRINT	7
10 FT STAND FOOTPRINT	8
5 FT TOWER & PORCH INSTRUCTIONS	9-13
5 FT LADDER INSTALLATION	14-15
5 FT TOWER EXTENSION INSTRUCTIONS	16-21
5 FT EXTENSION LADDER INSTRUCTIONS	22-23
TIE-DOWN ANCHOR HARDWARE LIST	24
TIE-DOWN ANCHOR INSTRUCTIONS	25-27
7'X7' BASE EXTENSION INSTRUCTIONS	28-29

IMPORTANT SAFETY INFORMATION

WARNING! This RSI Outdoors™ product is subject to strict maximum weight limits. Do NOT use this product if the combined weight of all users and equipment exceeds the specified capacity. Exceeding the allowable weight may cause equipment failure and can result in severe injury or death.

Thank you for selecting an RSI Outdoors™ product. For your personal safety, read this entire instruction manual carefully before assembling, installing, removing, or using this product in any way. Failure to follow the instructions and warnings in this manual may result in severe injury or death.

If you have questions regarding assembly, installation, removal, or operation of this product—or any other RSI Outdoors™ product—please contact our customer support team at 717-927-1555 (HQ) 785-499-3900 (KS) or email mail@rsioutdoors.com. Our representatives are available to assist with questions across the RSI Outdoors™ product line.

If any parts are missing or damaged when the product is first opened, do not attempt to use it. Return the product to the retailer where it was purchased for replacement.

Throughout this manual, “**WARNING!**” notices are used to highlight important safety information. These warnings identify conditions or actions that could result in injury, death, or property damage if ignored. All users and owners must read and follow every instruction and warning before using this product or any RSI Outdoors™ equipment. Failure to comply may result in severe injury or death.

WARNING! Failure to carefully read and strictly follow the instructions in this manual may result in severe injury or death.

WARNING! Falls from freestanding elevated platforms can occur at any time after leaving the ground and may cause severe injury or death. Before assembling or using this product, read this manual in its entirety. Review the instructions at least once per year and keep this manual for as long as you own the product. Failure to follow these instructions may result in severe injury or death.

WARNING! Safe use of this product is entirely the responsibility of the user. The product owner is responsible for ensuring that anyone who borrows, uses, or purchases this product receives and understands this instruction manual. Failure to do so may result in severe injury or death and may expose the user or owner to legal liability under applicable U.S. laws.

USER HEALTH AND PHYSICAL CONDITION WARNINGS

WARNING! DO NOT use this or any other RSI Outdoors™ product if you have a medical or physical condition that could interfere with safe use. This includes, but is not limited to, heart conditions, back or spinal issues, impaired vision, joint instability, spinal fusion, balance disorders, high blood pressure, fatigue, or any condition that limits coordination or judgment.

Do not use this product while taking medications (including prescription drugs) or consuming substances, including alcohol, that may impair alertness or physical ability. Never use a freestanding elevated platform if you feel ill, dizzy, or nauseous. Failure to follow this warning may result in severe injury or death.

PRODUCT MODIFICATION AND USE WARNINGS

WARNING! DO NOT remove, alter, repair, replace, or modify any component of this product or its assemblies. Unauthorized modifications, misuse, or substitution of parts may weaken the structure and result in severe injury or death. Do not add or attach anything to this product unless specifically approved in writing by the manufacturer.

WARNING! Some RSI Outdoors™ freestanding elevated platforms include a handrail. This handrail is not designed to support body weight. Never apply more than 15 pounds (7 kg) of force to the handrail. Exceeding this limit may result in loss of balance, equipment failure, and severe injury or death.

HUNTING SAFETY WARNINGS

WARNING! Before each hunt, notify a responsible person of your hunting location and your expected return time. Failure to do so may delay emergency assistance and result in severe injury or death.

HUNTING SAFETY WARNINGS CONTINUED.

WARNING! This product is intended for adult use only. Individuals under the age of sixteen (16) must not use this product without direct adult supervision. Failure to follow this warning may result in severe injury or death.

TRAINING AND HEIGHT USE WARNINGS

WARNING! Before using this product at an elevated height, you must become fully familiar with its assembly, setup, installation, operation, and removal. Practice all procedures at ground level until you are confident and comfortable before attempting use above ground. Failure to follow this instruction may result in severe injury or death.

WARNING! Never hunt from a freestanding elevated platform at a height where you do not feel completely stable and confident. Always choose the lowest height that allows for safe and effective hunting based on current conditions. Failure to follow this warning may result in severe injury or death.

WEIGHT LIMIT WARNING (REINFORCED)

WARNING! Each RSI Outdoors™ product has specific maximum weight and occupancy limits. These limits include the combined weight of all users and their equipment. NEVER exceed the stated capacity. Exceeding weight limits may result in product failure, severe injury, or death.

WEATHER, USE, AND SAFETY WARNINGS

WARNING! DO NOT use this or any other RSI Outdoors™ product if ice, snow, freezing rain, or similar conditions are present on any part of the stand or climbing surfaces. Do not use this product when thunderstorms are occurring or forecasted within five (5) miles (8 km) of your location. Avoid use during any unsafe or severe weather conditions, including but not limited to high winds, lightning, heavy rain, sleet, or snow that could interfere with safe operation. If dangerous weather develops while you are using this product, descend immediately and seek appropriate man-made shelter. Failure to follow this warning may result in severe injury or death.

WARNING! Never climb up or down while carrying a weapon or equipment. Always unload firearms and raise or lower them using a pull rope or tether only. When handling firearms, ensure the chamber is open and the barrel is pointed toward the ground. All other gear must be raised and lowered using the same method. Failure to follow these instructions may result in severe injury or death.

WARNING! Inspect this product and all related RSI Outdoors™ components before every use. Look for signs of damage such as excessive wear, rust, corrosion, cracking, rot, or material deterioration. Do not store or leave the stand exposed for extended periods to direct sunlight, extreme heat, or freezing temperatures. If any damage or degradation is observed, do not use the product. Failure to follow these instructions may result in severe injury or death.

WARNING! DO NOT jump, bounce, or place sudden force on the seat or platform of a freestanding elevated stand. Doing so may compromise stability and result in severe injury or death.

WARNING! Always wear proper footwear when using a freestanding elevated stand. Non-slip safety boots are strongly recommended. Ensure shoelaces are secured and tucked in to prevent entanglement with any part of the stand while climbing. Failure to follow this warning may result in severe injury or death.

WARNING! DO NOT bend, cut, weld, heat, alter, repair, or otherwise modify this freestanding elevated stand. Do not attach accessories or components unless specifically authorized in writing by the manufacturer. Any unauthorized modification may weaken the structure and result in severe injury or death.

WARNING! DO NOT assemble or place this RSI Outdoors™ product near electrical equipment or power sources, including but not limited to power lines, transformers, generators, or substations. Contact with electrical systems can result in severe injury or death.

WARNING! Before digging or anchoring this product, contact your local underground utility notification service by dialing 811. This service will notify utility providers of your planned activity to help prevent injury, service disruption, or property damage. Failure to do so may result in severe injury or death.

WARNING! DO NOT attempt to adjust, reposition, or modify this product while standing on it. All adjustments must be performed with the stand fully on the ground. Failure to follow this warning may result in severe injury or death.

STABILITY, CLIMBING, AND HEATING SAFETY WARNINGS

WARNING! Before using a freestanding elevated stand, examine the ground beneath it to ensure the surface is solid, stable, and level. Soft soil, sloped terrain, or uneven ground can cause the stand to shift or tip during use. Do not use this product when strong winds are present or expected. Failure to follow this warning may result in severe injury or death.

WARNING! Never hunt from a platform that is not level. Do not attempt to adjust or level a freestanding elevated stand while it is elevated. If the platform appears tilted, angled, or uneven in any way, lower the stand and reposition it until proper level alignment is achieved. Failure to follow these instructions may result in severe injury or death.

WARNING! Before each use, verify that all nuts, bolts, fasteners, and webbing are properly secured and free from damage. Inspect all hardware carefully. If any damage, looseness, or abnormal wear is found—or suspected—do not use the product. Failure to follow these instructions may result in severe injury or death.

WARNING! Prior to climbing, confirm that all legs, ladders, and support sections are fully seated, properly connected, and locked in place. If any component appears loose, separated, or improperly installed, do not use the product. Failure to follow this warning may result in severe injury or death.

WARNING! Always maintain three points of contact while ascending or descending. This means keeping either two feet and one hand, or one foot and two hands, in contact with the climbing system at all times. Failure to maintain three-point contact may result in severe injury or death.

WARNING! When climbing, always lean slightly forward toward the stand to maintain proper balance and stability. Failure to follow this instruction may result in severe injury or death.

HEATER AND CARBON MONOXIDE WARNINGS

WARNING! Use of propane heaters or other fuel-burning heating devices inside an RSI Outdoors™ product can create an immediately dangerous atmosphere due to carbon monoxide buildup. Never operate any heater unless it is UL Listed, equipped with a functioning carbon monoxide shutoff system, and includes a tip-over safety shutoff. Failure to follow this warning may result in severe injury or death.

WARNING! Only use UL Listed heaters approved for indoor use within this product. Using non-approved heating devices may result in fire, asphyxiation, or carbon monoxide poisoning, leading to severe injury or death.

WARNING! Always read, understand, and follow the heater manufacturer's instructions for safe operation. Improper use of any heating device may result in severe injury or death.

WARNING! DO NOT use propane or other heaters labeled "For Outdoor Use Only" inside this product. Such devices can quickly create life-threatening conditions due to carbon monoxide accumulation. Failure to follow this warning may result in severe injury or death.

CAUTION! Be familiar with the warning signs of carbon monoxide exposure, including nausea, dizziness, headache, or confusion. If symptoms occur, immediately shut off the heat source and move to an area with fresh air.

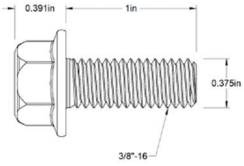
WARNING! Before beginning assembly, carefully review pages 4-6 in this manual. Failure to read and understand these sections prior to assembly may result in severe injury or death.

WARNING! DO NOT tighten bolts, nuts, or fasteners beyond what is specified. Excessive tightening can damage components, compromise structural integrity, and reduce product performance. Failure to follow this instruction may result in severe injury or death.

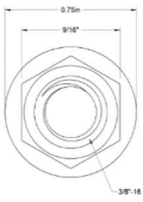
**5 FT TOWER
HARDWARE LIST**

PART - QTY

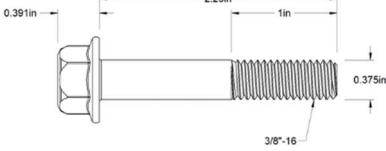
A - 47



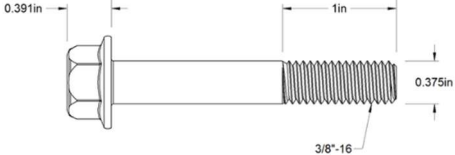
B - 4



C - 12



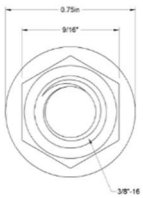
D - 2



E - 4



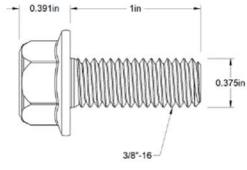
G - 71



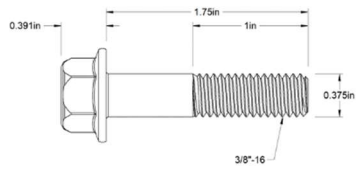
**5 FT EXTENSION
HARDWARE LIST**

PART - QTY

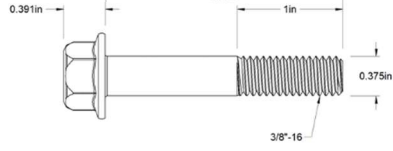
A - 76



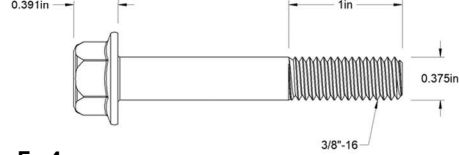
B - 4



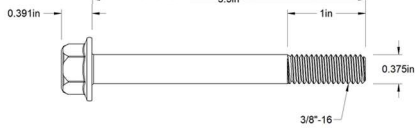
C - 12



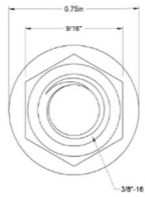
D - 2



E - 4



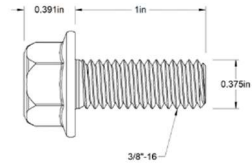
G - 98



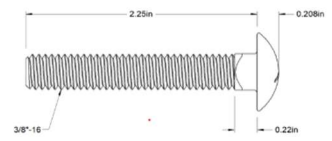
**7'x7' BASE EXTENSION
HARDWARE LIST**

PART - QTY

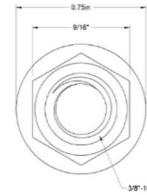
A - 16



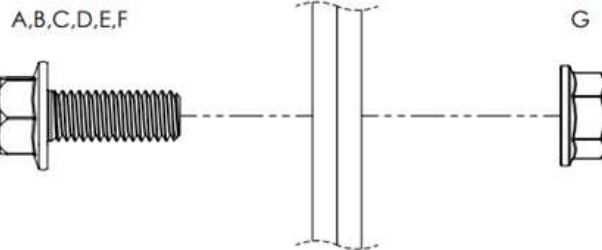
F - 6



G - 22



TYPICAL HARDWARE ASSEMBLY



5 FT TOWER PARTS LIST

PART NAME	PART #	QTY
PLATFORM BASE	2650-1000	1
PLATFORM PORCH	2650-1001	1
PLATFORM RAIL 1	2650-1002	1
PLATFORM RAIL 2	2650-1003	1
PLATFORM RAIL 3	2650-1004	1
TOP LEG	2650-3017	4
UPPER HORIZONTAL BRACE	2650-3018	4
UPPER CROSS BRACE	2650-3019	4
PORCH BRACE	2650-3034	2
LEG SUPPORT	2650-3016	4
ADJUSTABLE LEG <small>*SOLD SEPARATELY</small>	2650-3050	1
LADDER CONNECTORS	2650-3007	2
LADDER SECTION	2650-1005	1
LADDER RAIL	2650-3006	1
LADDER SUPPORT	2650-3004	2
AUGER STAKE	2650-1009	1
LEG STAKE	2650-1010	6

5 FT EXTENSION PARTS LIST

PART NAME	PART #	QTY
PLATFORM BASE	2650-1000	1
PLATFORM PORCH	2650-1001	1
PLATFORM RAIL 1	2650-1002	1
PLATFORM RAIL 2	2650-1003	1
PLATFORM RAIL 3	2650-1004	1
TOP LEG	2650-3017	4
UPPER HORIZONTAL BRACE	2650-3018	4
UPPER CROSS BRACE	2650-3019	4
PORCH BRACE	2650-3034	2
BOTTOM LEG	2650-3039	4
LOWER HORIZONTAL BRACE	2650-3040	4
LOWER CROSS BRACE	2650-3000	4
LEG SUPPORT	2650-3016	4
ADJUSTABLE LEG <small>*SOLD SEPARATELY</small>	2650-3050	1
LADDER CONNECTORS	2650-3007	2
LADDER SECTION	2650-1005	2
LADDER SECTION CONNECTOR	2650-3005	2
LADDER RAIL	2650-3006	1
LADDER SUPPORT	2650-3004	2
AUGER STAKE	2650-1009	1
LEG STAKE	2650-1010	6

7'X7' BASE EXTENSION PARTS LIST

PART NAME	PART #	QTY
BASE EXTENSION 1	2650-3041	2
BASE EXTENSION 2	2650-3042	2
BASE EXTENSION 3	2650-3044	1
BASE EXTENSION 4	2650-3043	1
EXTENSION TUBE	2650-3013	3

TOOLS REQUIRED

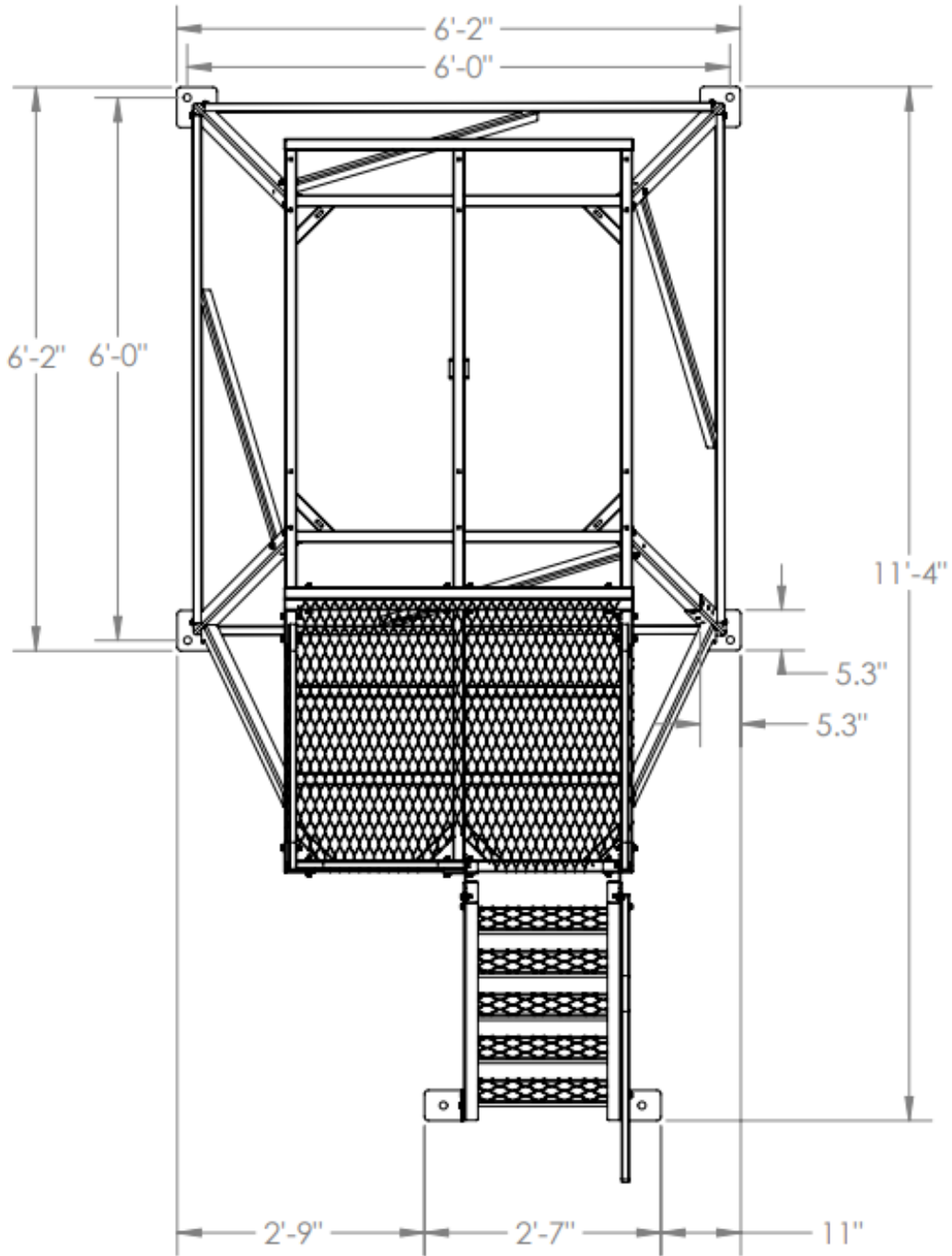
TWO (2) - 9/16" WRENCHES

WEIGHT CAPACITY

PRODUCT	CAPACITY
5 FT TOWER & PORCH	1000 LBS.
5 FT TOWER EXTENSION	1000 LBS.
7'X7' BASE EXTENSION	750 LBS.

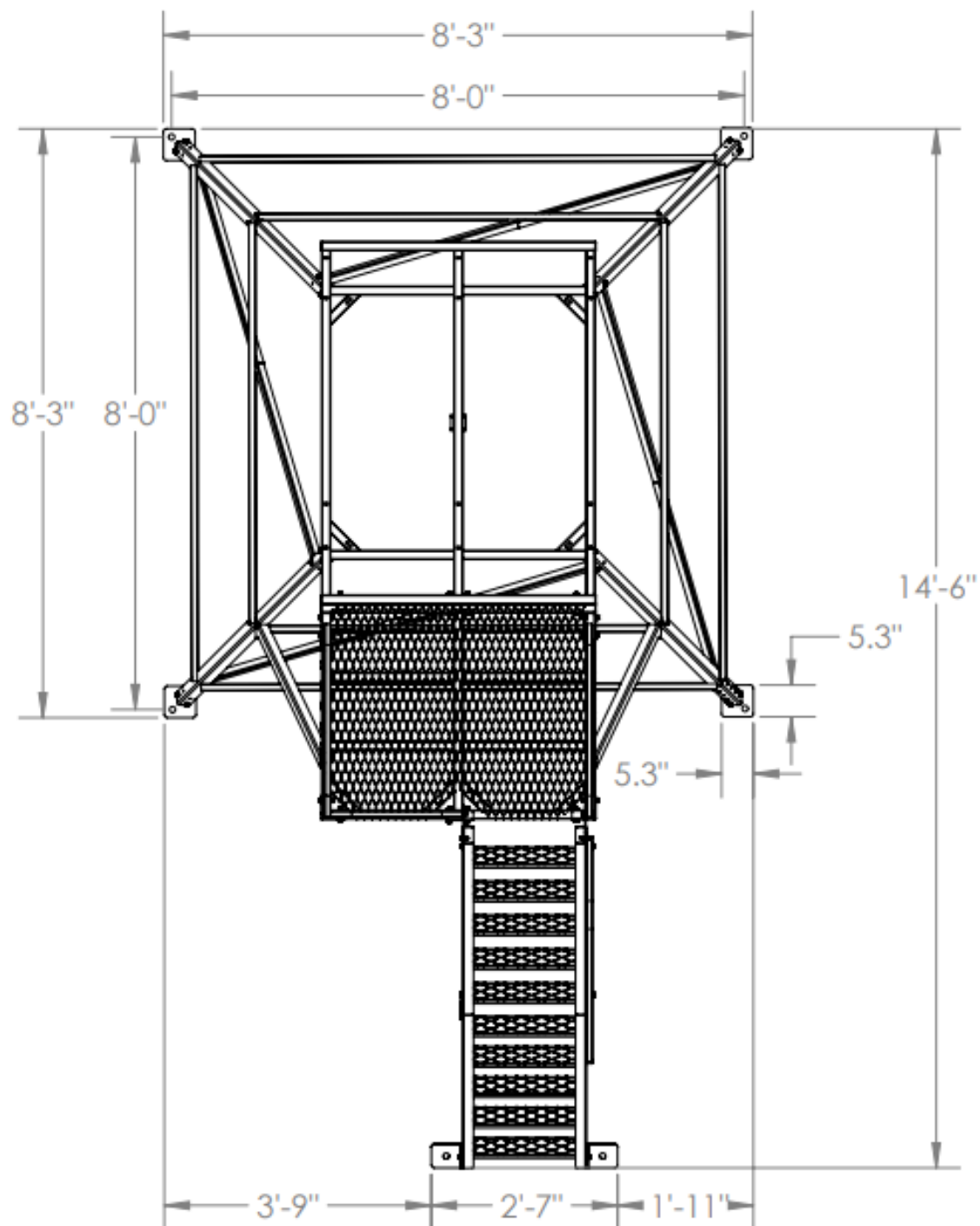
READ THE INSTRUCTIONS CAREFULLY BEFORE USING THIS PRODUCT

5 FT STAND FOOTPRINT



READ THE INSTRUCTIONS CAREFULLY BEFORE USING THIS PRODUCT

10 FT STAND FOOTPRINT



READ THE INSTRUCTIONS CAREFULLY BEFORE USING THIS PRODUCT

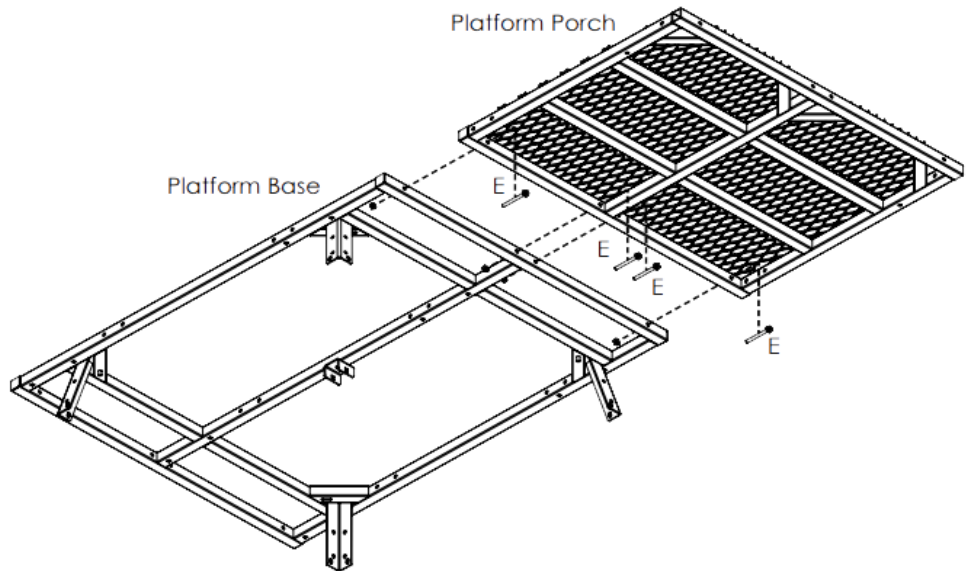
9 5 FT TOWER & PORCH INSTRUCTIONS

5 FT TOWER & PORCH – BLIND6X6-5

NOTE: DURING ASSEMBLY, INSTALL ALL NUTS AND BOLTS USING **FINGER-TIGHT TENSION ONLY** UNLESS SPECIFICALLY INSTRUCTED OTHERWISE. LEAVING FASTENERS LOOSE DURING INITIAL ASSEMBLY

Step 1– ATTACH PORCH

Attach the **platform porch** to the **platform base** using **(4)** 3/8"-16 X 3.5" bolts **[E]**



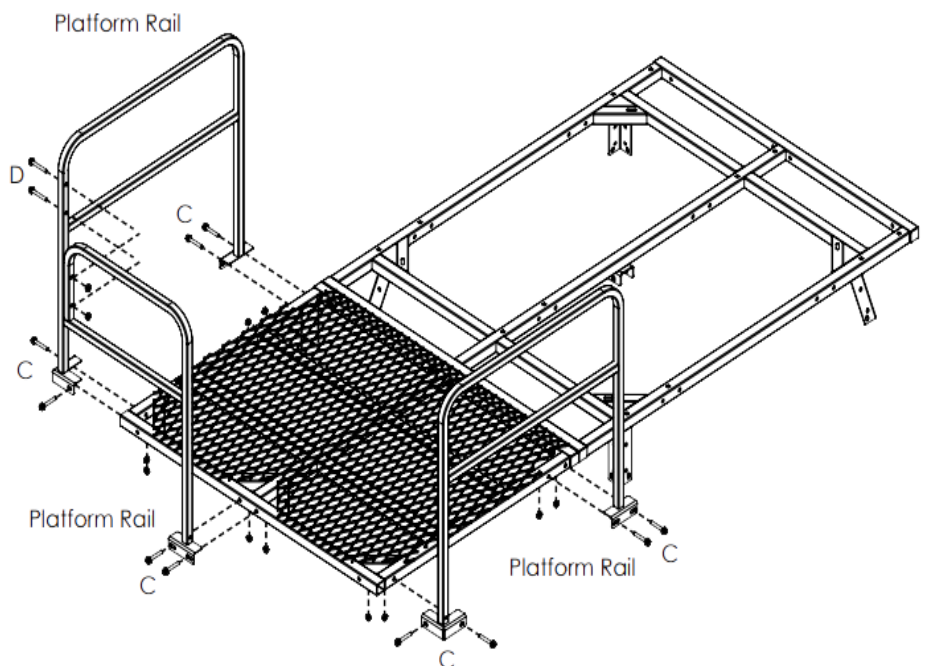
Step 2 – INSTALL PLATFORM RAILS

Attach the platform rails to the platform base using the following hardware:

- **(10)** 3/8"-16 X 2.25" bolts **[C]**
- **(2)** 3/8"-16 X 2.5" bolts **[D]**

Secure the rails as shown in the assembly illustration below.

Do not fully tighten at this time.



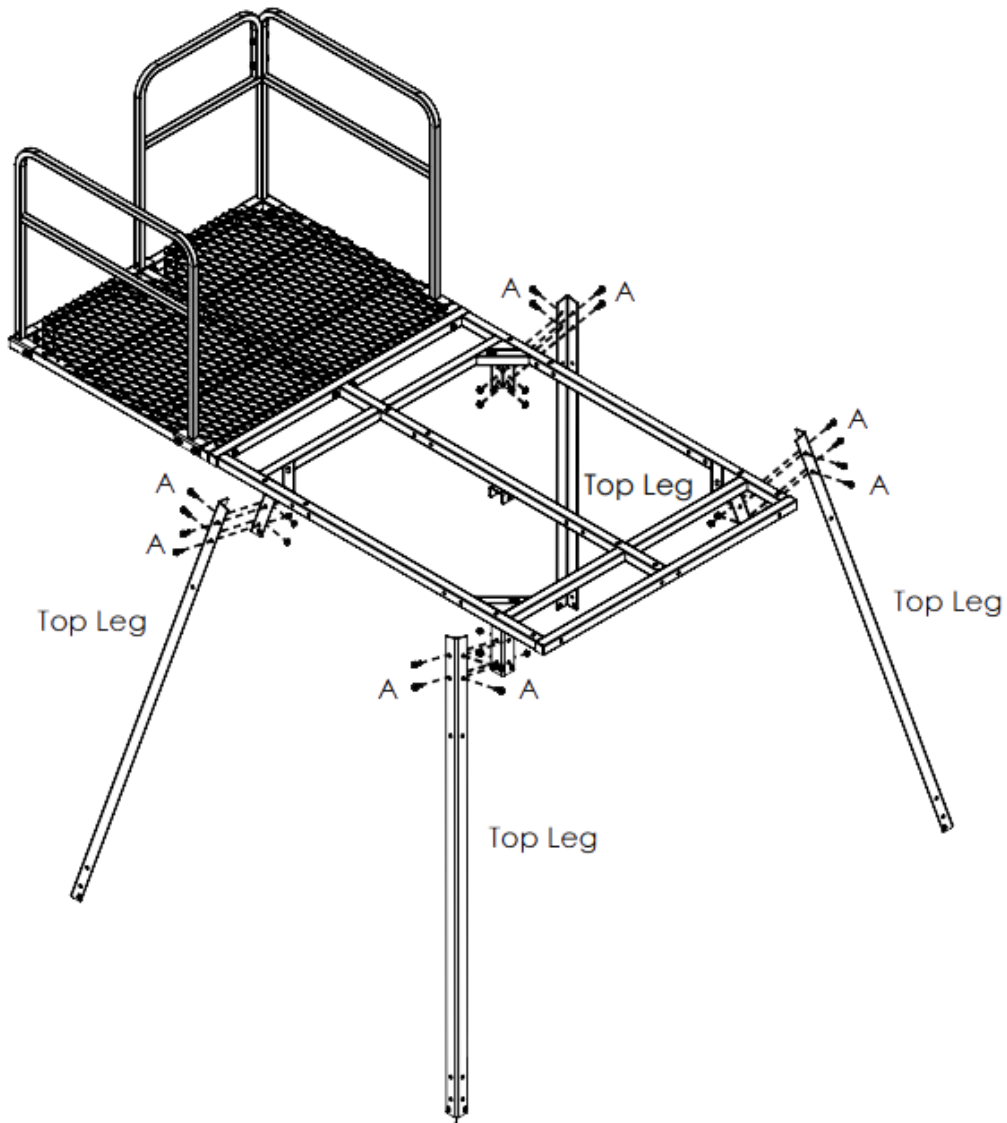
IF INSTALLING THE 7'X7' EXTENSION, REFER TO PAGE 28 BEFORE COMPLETING STEP 3.

STEP 3 – INSTALL TOP LEGS

Attach the **top legs** to the upper leg sections using the following hardware:

- (16) 3/8"-16 X 1" bolts [A]

Install all fasteners as shown in the assembly illustration and leave them finger-tight until instructed to fully tighten.

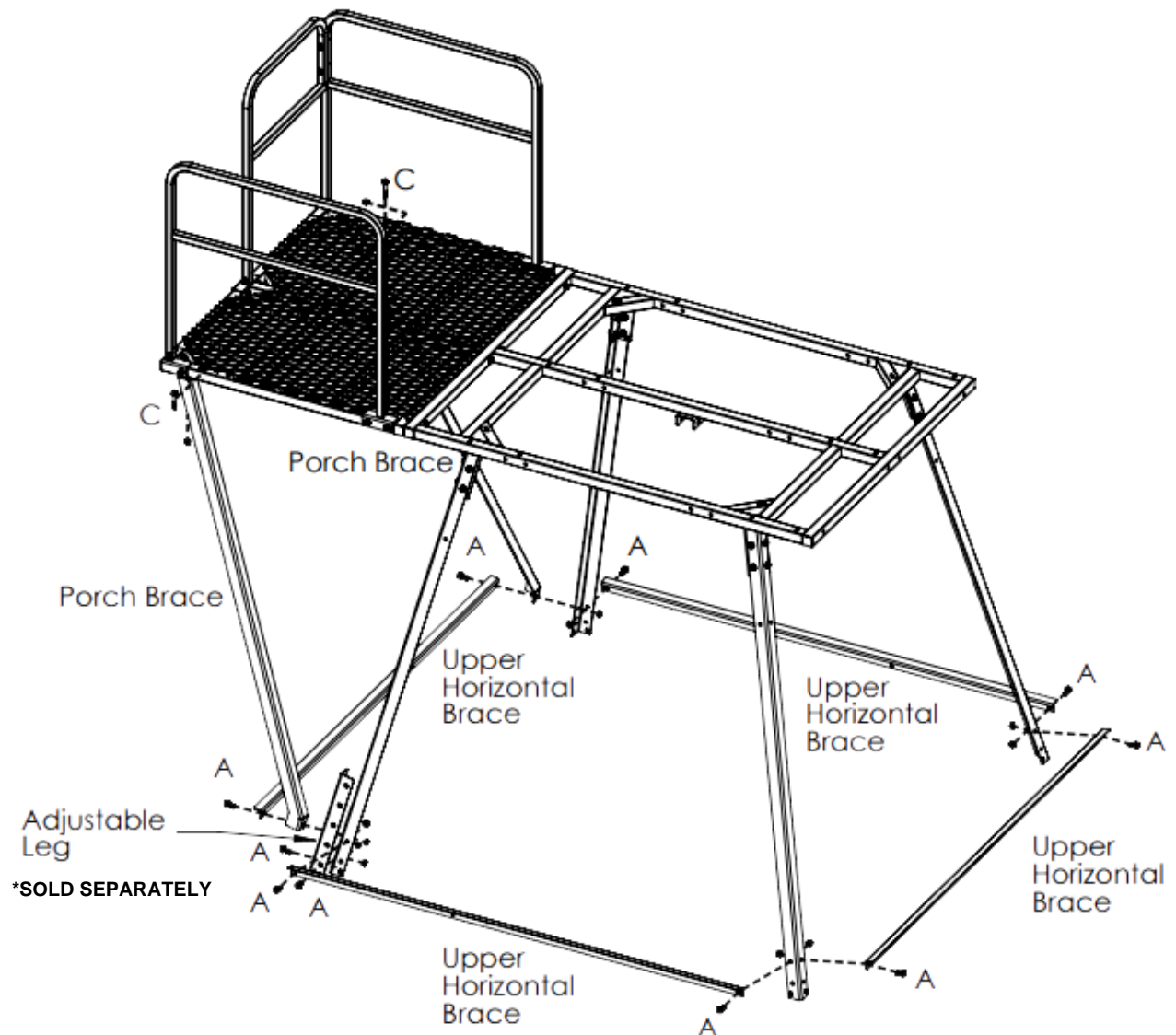


**THE FOLLOWING INSTRUCTIONS ARE HOW TO ASSEMBLE THE RSI OUTDOORS
5 FT TOWER. CONTINUE TO PAGE 15 FOR ASSEMBLING THE 5' EXTENSION.**

READ THE INSTRUCTIONS CAREFULLY BEFORE USING THIS PRODUCT

5 FT TOWER & PORCH – BLIND6X6-5

THE FOLLOWING INSTRUCTIONS ARE HOW TO ASSEMBLE THE RSI OUTDOORS 5 FT TOWER.
CONTINUE TO PAGE 15 FOR ASSEMBLING THE 5 FT EXTENSION.



STEP 4 – INSTALL PORCH BRACE AND UPPER HORIZONTAL BRACES

Attach the **porch brace** to the front **top legs**. Position the **upper horizontal braces** with the **flat side oriented upward**. Attach each brace to the **outside surfaces of the top legs** using the following hardware:

- (10) 3/8"-16 X 1" bolts [A]
- (2) 3/8"-16 X 2.25" bolts [C]

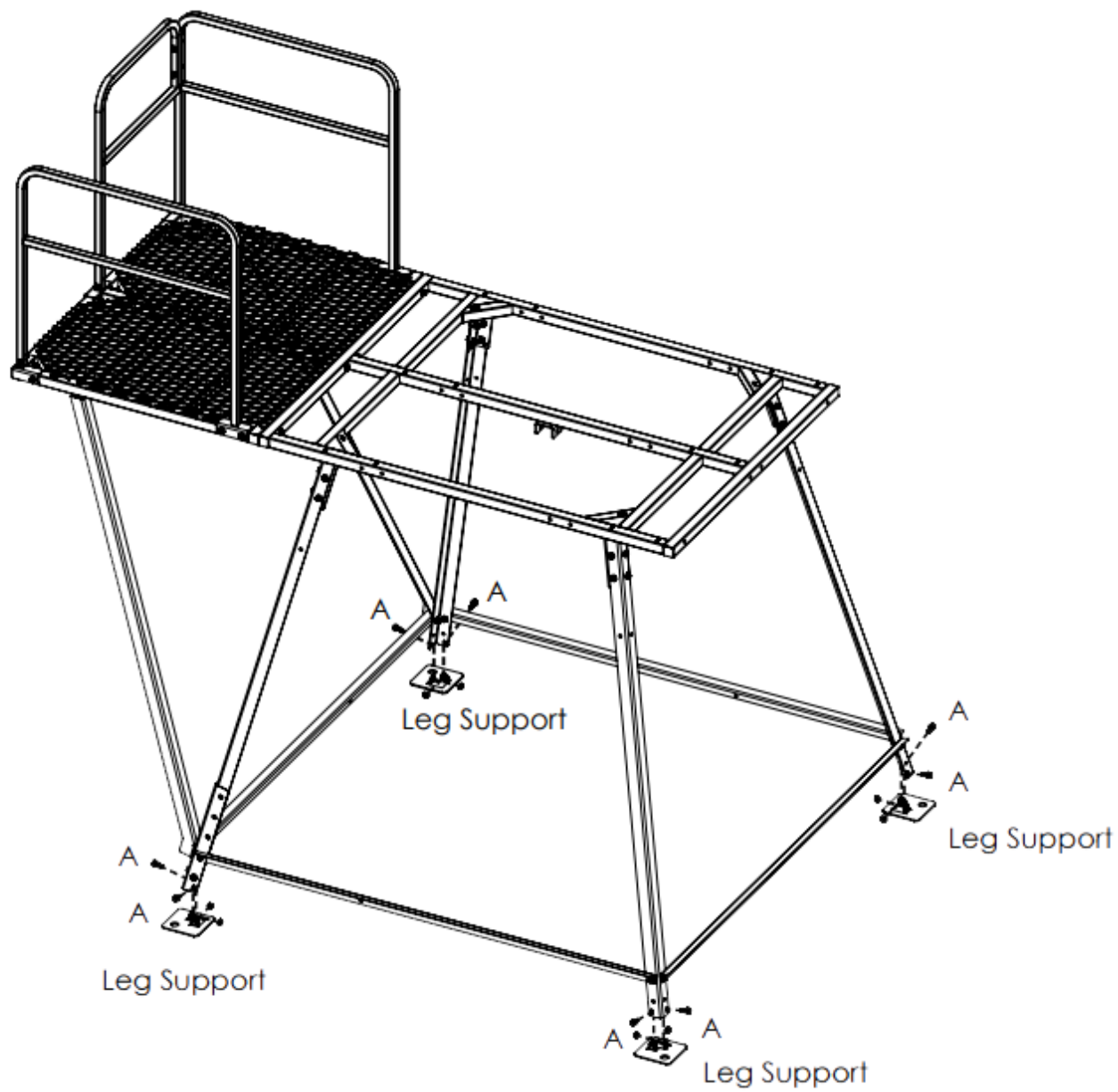
Utilize the adjustable leg piece when on uneven ground.

STEP 5 – INSTALL LEG SUPPORTS

Secure the **leg supports** to the **top legs** using the following hardware:

- (8) 3/8"-16 X 1" bolts [A]

Note: When installing the leg supports, align and fasten them using the **lower mounting hole** on the top legs.



5 FT TOWER & PORCH – BLIND6X6-5

STEP 6 – INSTALL CROSS BRACES (TOP LEG CONNECTION)

Orient each **cross brace** so the **flat face is directed toward the ground**. Attach the **round-hole end of four (4) cross braces** to the **inside surfaces of the top legs** using the following hardware:

- (4) 3/8"-16 X 1" bolts [A]

STEP 7 – SECURE CROSS BRACES TO UPPER HORIZONTAL BRACES

Fasten the **slot ends** of the cross braces to the **upper horizontal braces** using the following hardware:

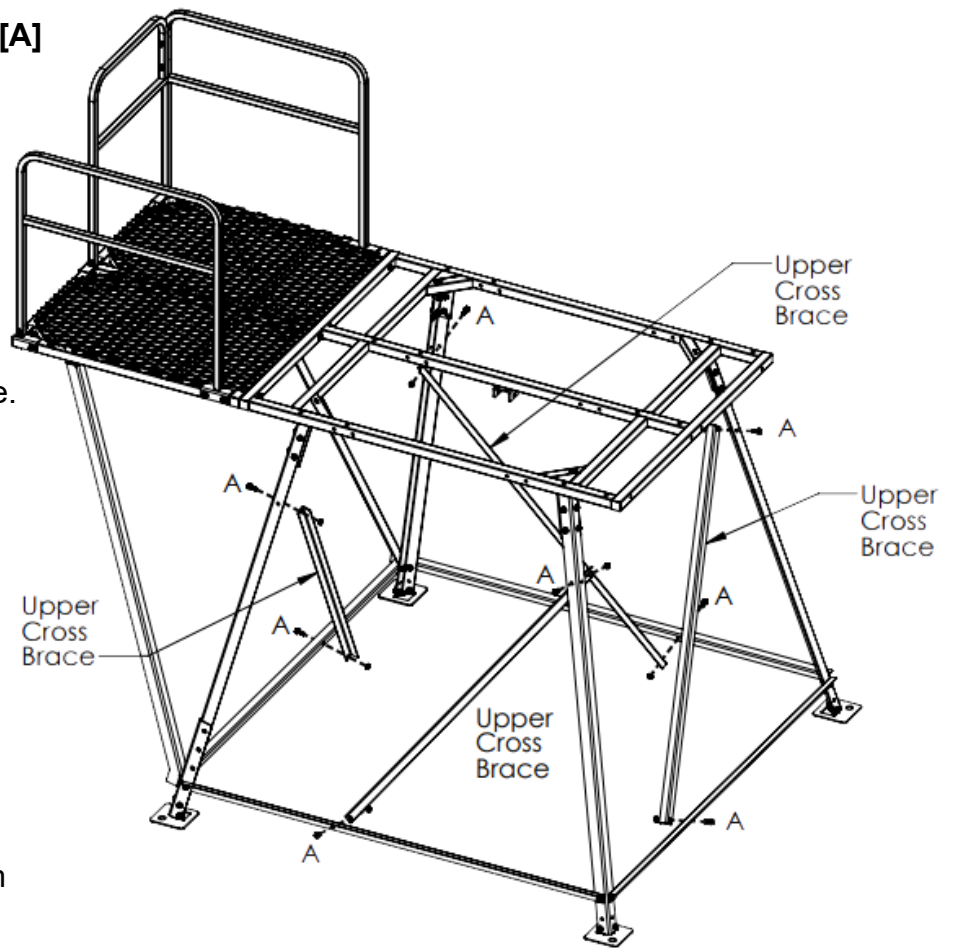
- (4) 3/8"-16 X 1" bolts [A]

STEP 8 – FINAL HARDWARE TIGHTENING

At this stage of assembly, fully tighten all nuts and bolts to their specified torque. Verify that all fasteners are secure before proceeding.

STEP 9 – POSITION AND LEVEL THE TOWER

Move the RSI Outdoors™ tower kit to its intended installation location. Set the structure upright and confirm that it is stable and level on the ground surface.



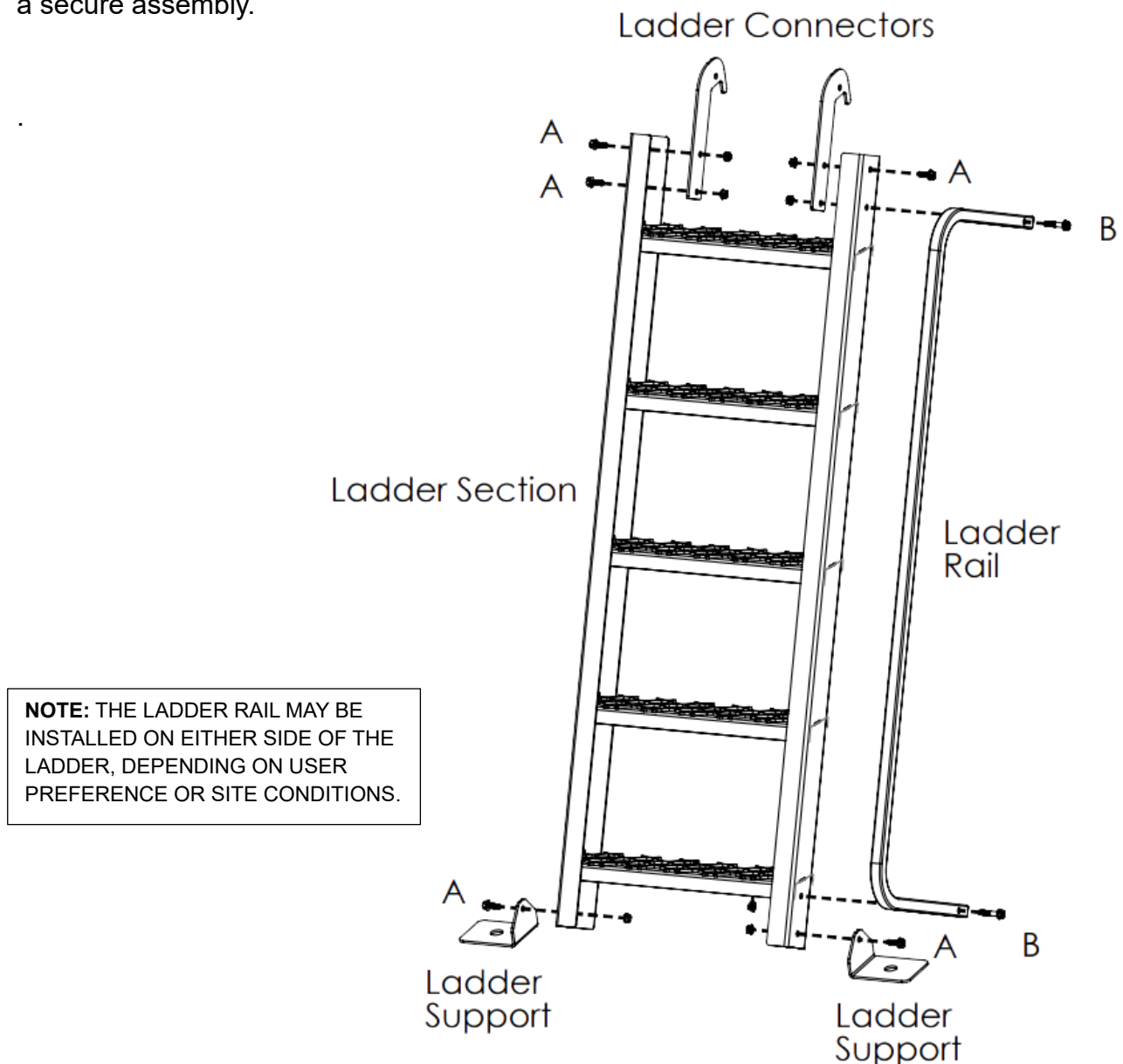
NOTE: ACHIEVING THE PROPER LEVEL MAY REQUIRE USING THE ADJUSTABLE LEG OR REMOVING SOIL BENEATH ONE OR MORE LEG SUPPORTS. ENSURE ALL ADJUSTMENTS ARE MADE WITH THE TOWER FULLY SUPPORTED AND STABLE BEFORE USE.

STEP 10 – ASSEMBLE LADDER COMPONENTS

Assemble the ladder by joining the **ladder sections**, **ladder splices**, **ladder connectors**, **ladder supports**, and the **ladder rail** using the following hardware:

- (5) 3/8"-16 X 1" bolts [A]
- (2) 3/8"-16 X 1.75" bolts [B]

Once all ladder components are properly aligned, fully tighten all fasteners to ensure a secure assembly.



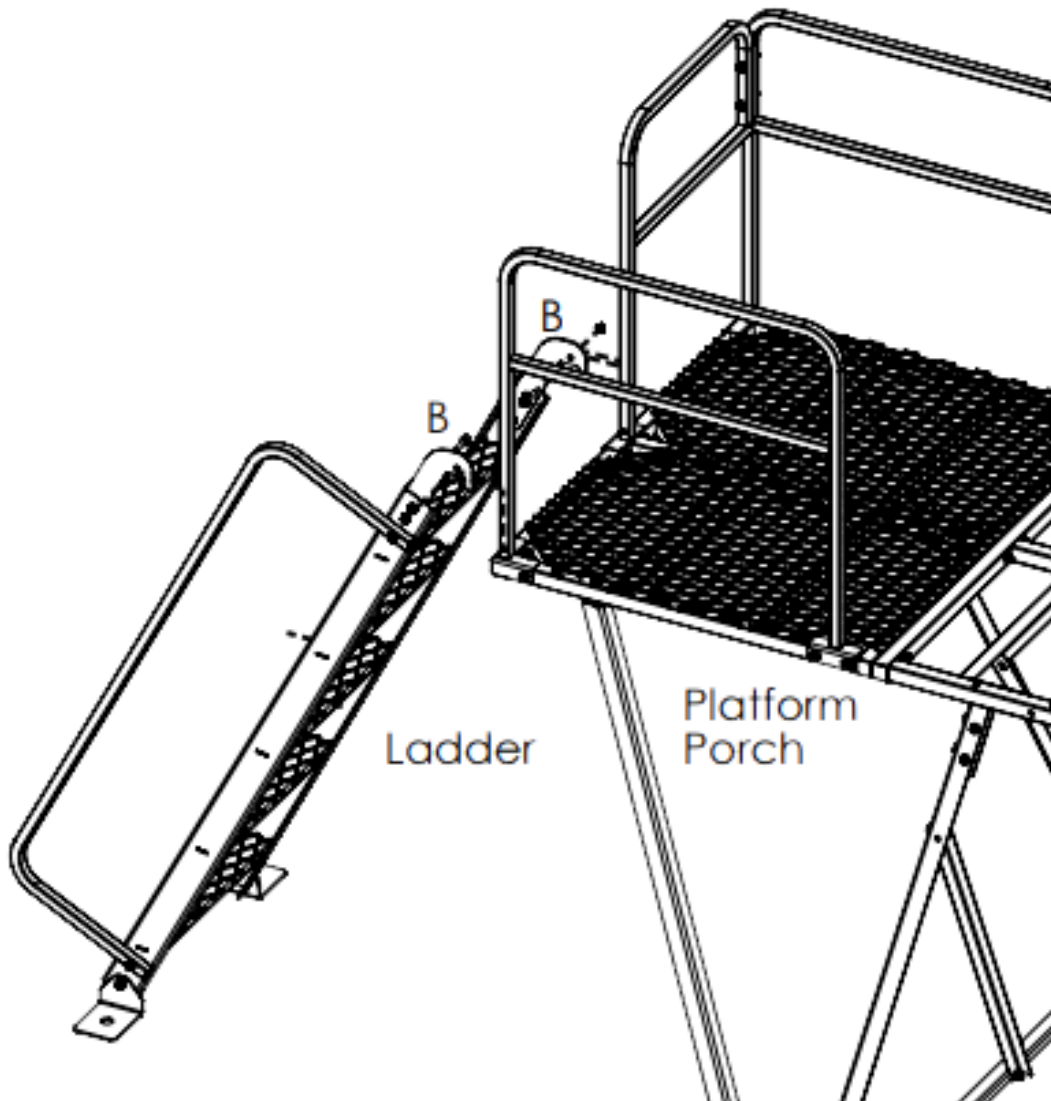
LADDER INSTALLATION INSTRUCTIONS

FINAL STEP – INSTALL LADDER

Hook the ladder onto the tube frame on the platform base. Confirm that the ladder connectors sit **flush against the platform base surface**. Secure the ladder using the following:

- (2) 3/8"-16 × 1.75 in. bolts [B]

Tighten the hardware until the ladder is firmly attached and no movement is present.



GO TO PAGE 24 FOR TIE DOWN ANCHOR INSTRUCTIONS.

5 FT TOWER EXTENSION INSTRUCTIONS ¹⁶

5 FT TOWER EXTENSION – BLIND6X6-10

COMPLETE STEPS 1-3 ON PAGE 8 PRIOR. THEN COMPLETE THE FOLLOWING

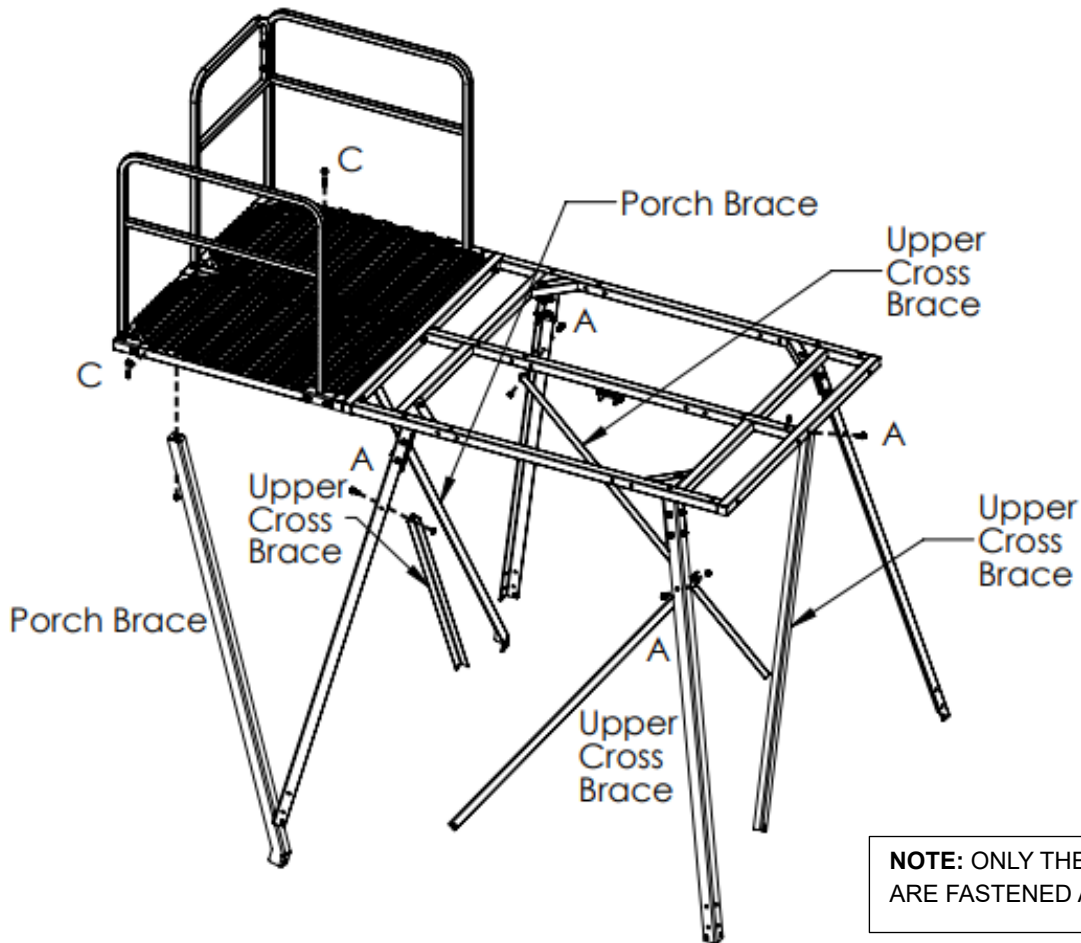
IF INSTALLING THE 7'X7' BASE EXTENSION, REFER TO PAGE 28 BEFORE COMPLETING STEP 3.

STEP 3 – INSTALL PORCH BRACE AND UPPER HORIZONTAL BRACE

Attach the top bolt of the **porch braces**. Orient each **cross brace** so the **flat face is directed toward the ground**. Attach the **round-hole end of four (4) cross braces** to the **inside surfaces of the top legs** using the following hardware:

- (4) 3/8"-16 X 1" bolts [A]
- (2) 3/8-16 X 2.25" bolts [C]

Install all fasteners as shown in the assembly illustration and leave them finger-tight until instructed to fully tighten.

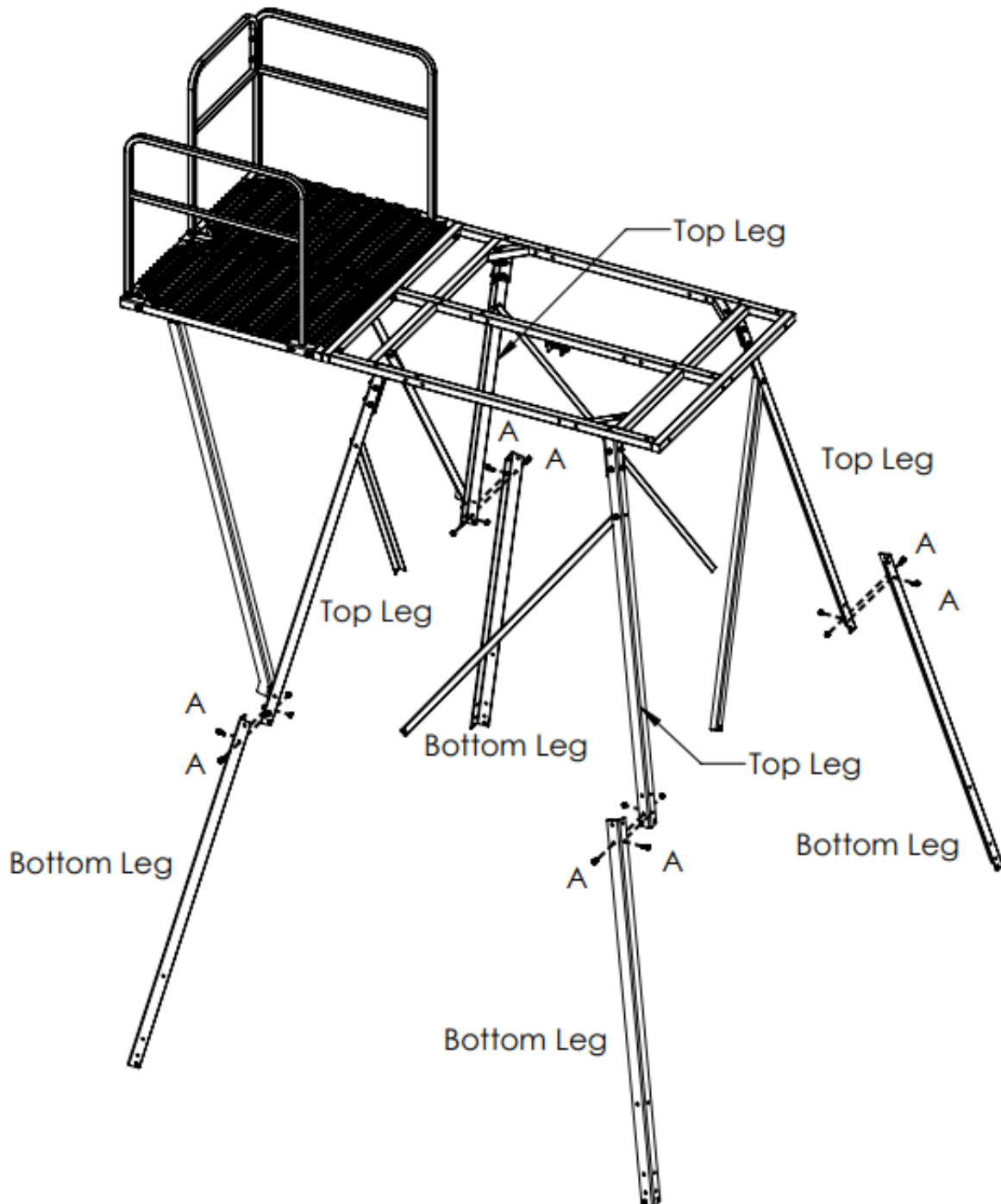


17 5 FT TOWER EXTENSION – BLIND6X6-10

STEP 4 – INSTALL BOTTOM LEGS

Attach the **bottom legs** to the top legs using the following hardware:

- (8) 3/8"-16 X 1" bolts [A]



5 FT TOWER EXTENSION – BLIND6X6-10 18

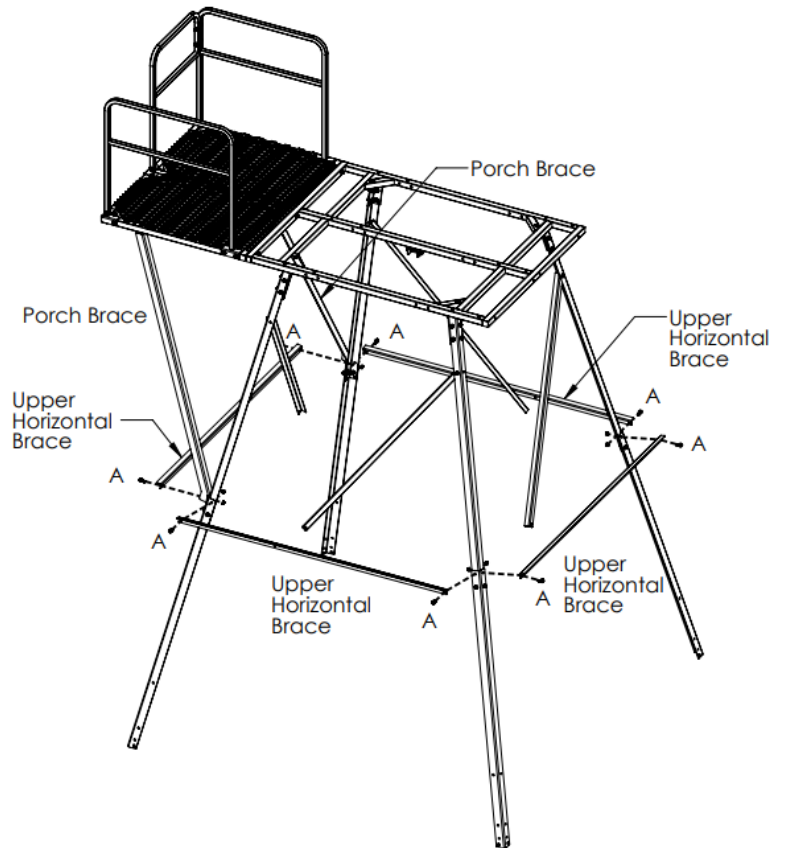
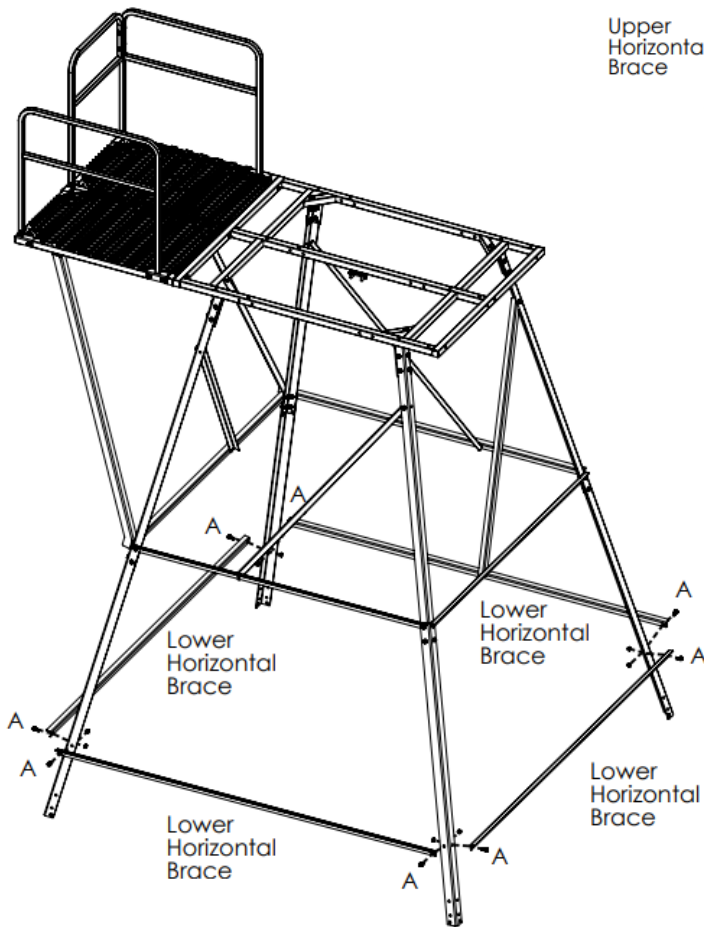
STEP 5 –

INSTALL UPPER HORIZONTAL BRACES AND LOWER HORIZONTAL BRACES

Position the **upper horizontal braces** and **lower horizontal braces** with the flat side oriented upward. Attach each brace to the outside surfaces of the legs using the following hardware:

- (16) 3/8"-16 X 1" bolts [A]

NOTE: WHEN INSTALLING THE FRONT UPPER HORIZONTAL BRACE, ENSURE THAT THE PORCH BRACE IS LINED UP WITH THE TOP LEG HOLE.

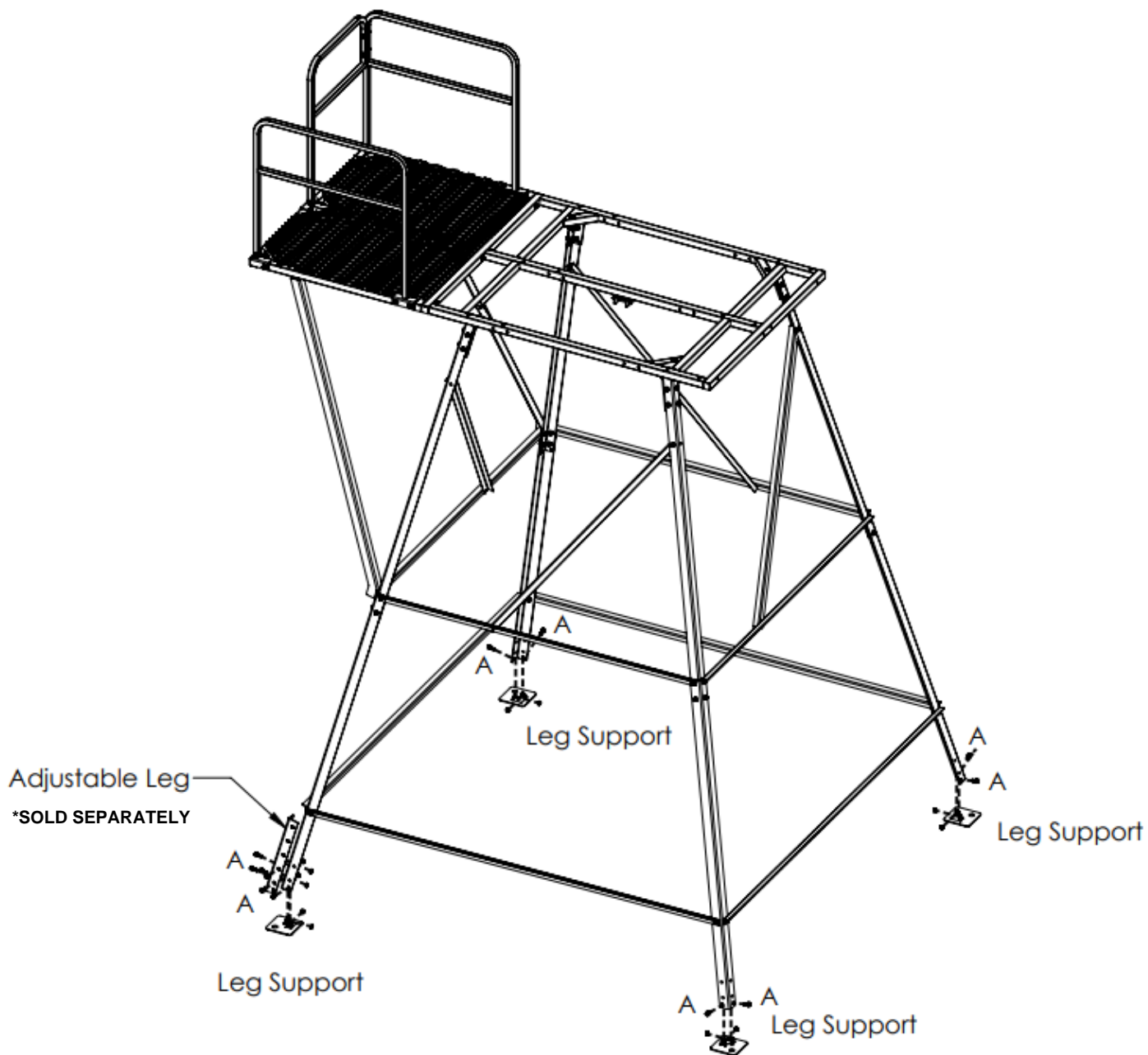


19 5 FT TOWER EXTENSION – BLIND6X6-10

STEP 6 – INSTALL LEG SUPPORTS

Secure the **leg supports** to the **bottom legs** using the following hardware:

- (12) 3/8"-16 X 1" bolts



Utilize the adjustable leg piece when on uneven ground.

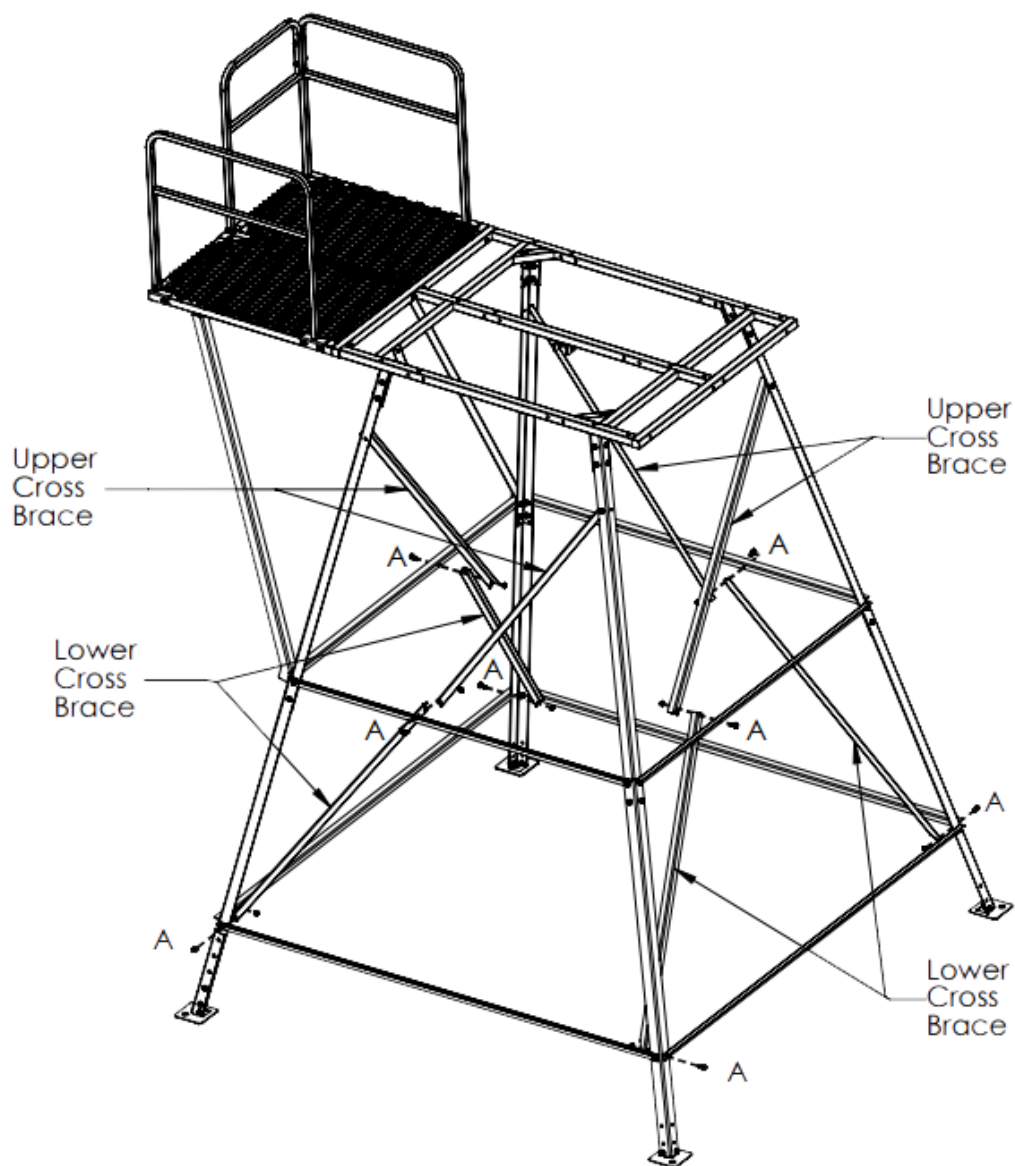
5 FT TOWER EXTENSION – BLIND6X6-10 20

STEP 7 – ATTACH LOWER CROSS BRACES

Fasten the oblong-slot ends of the **lower cross braces** and **upper cross braces** to the **upper horizontal braces**. Fasten the round-hole end of the **lower cross braces** to the inside of the lower leg using the bolt on one side of the lower horizontal braces using the following hardware:

- (8) 3/8 in. × 1-1/4 in. hex bolts [A]

Align all components properly and install fasteners finger-tight unless instructed to fully tighten later



21 5 FT TOWER EXTENSION – BLIND6X6-10

STEP 8 – FINAL HARDWARE TIGHTENING

At this stage of assembly, fully tighten all nuts and bolts to their specified torque. Verify that all fasteners are secure before proceeding.

STEP 9 – POSITION AND LEVEL THE TOWER

Move the RSI Outdoors™ tower kit to its intended installation location. Set the structure upright and confirm that it is stable and level on the ground surface.

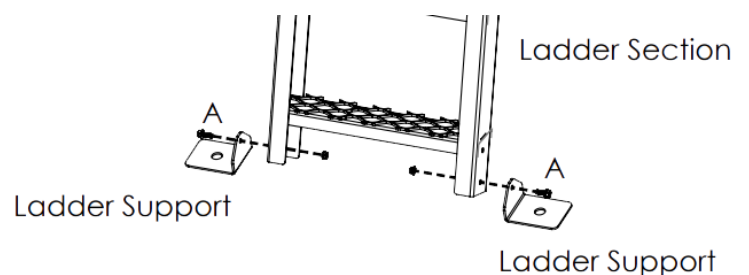
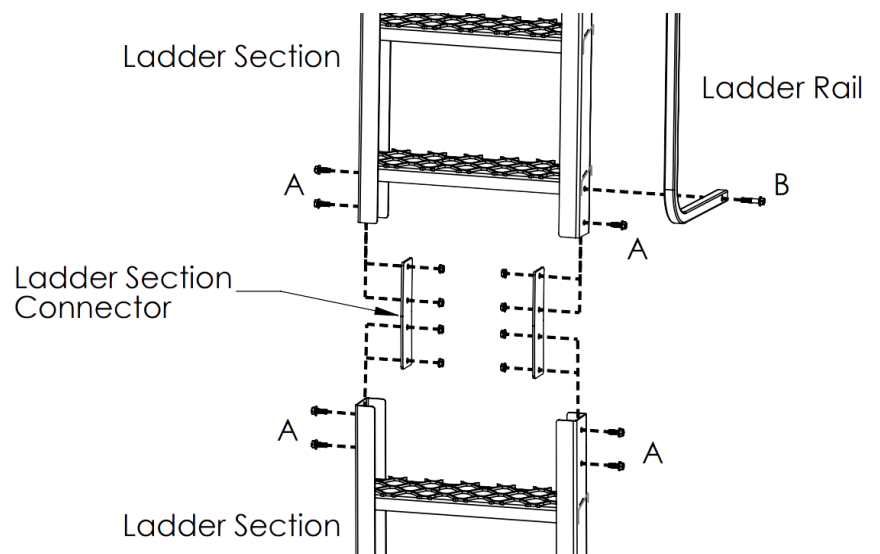
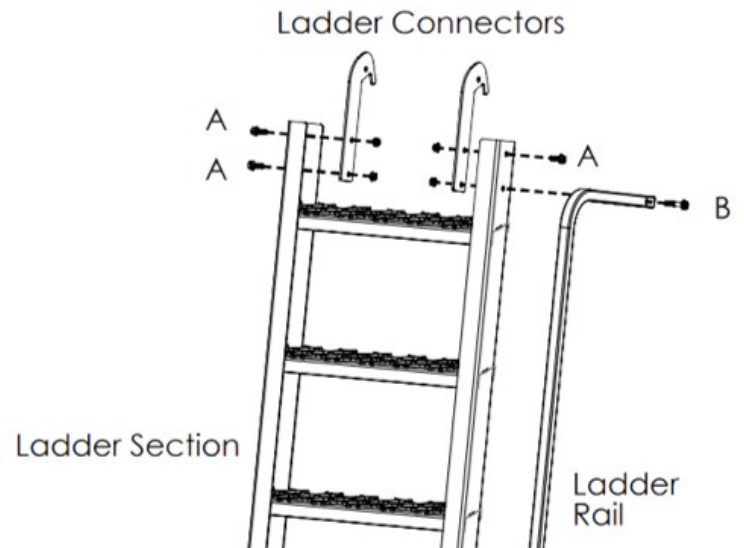
NOTE: ACHIEVING PROPER LEVEL MAY REQUIRE REMOVING SOIL BENEATH ONE OR MORE LEG SUPPORTS. ENSURE ALL ADJUSTMENTS ARE MADE WITH THE TOWER FULLY SUPPORTED AND STABLE BEFORE USE

STEP 10 – ASSEMBLE LADDER COMPONENTS

Assemble the ladder by joining the ladder sections, ladder splices, ladder connectors, ladder supports, and the ladder rail using the following hardware:

- (12) 3/8"-16 X 1" bolts [A]
- (2) 3/8"-16 X 1.75" bolts [B]

Once all ladder components are properly aligned, fully tighten all fasteners to ensure a secure assembly.



NOTE: THE LADDER RAIL MAY BE INSTALLED ON EITHER SIDE OF THE LADDER, DEPENDING ON USER PREFERENCE OR SITE CONDITIONS.

23 LADDER INSTALLATION INSTRUCTIONS

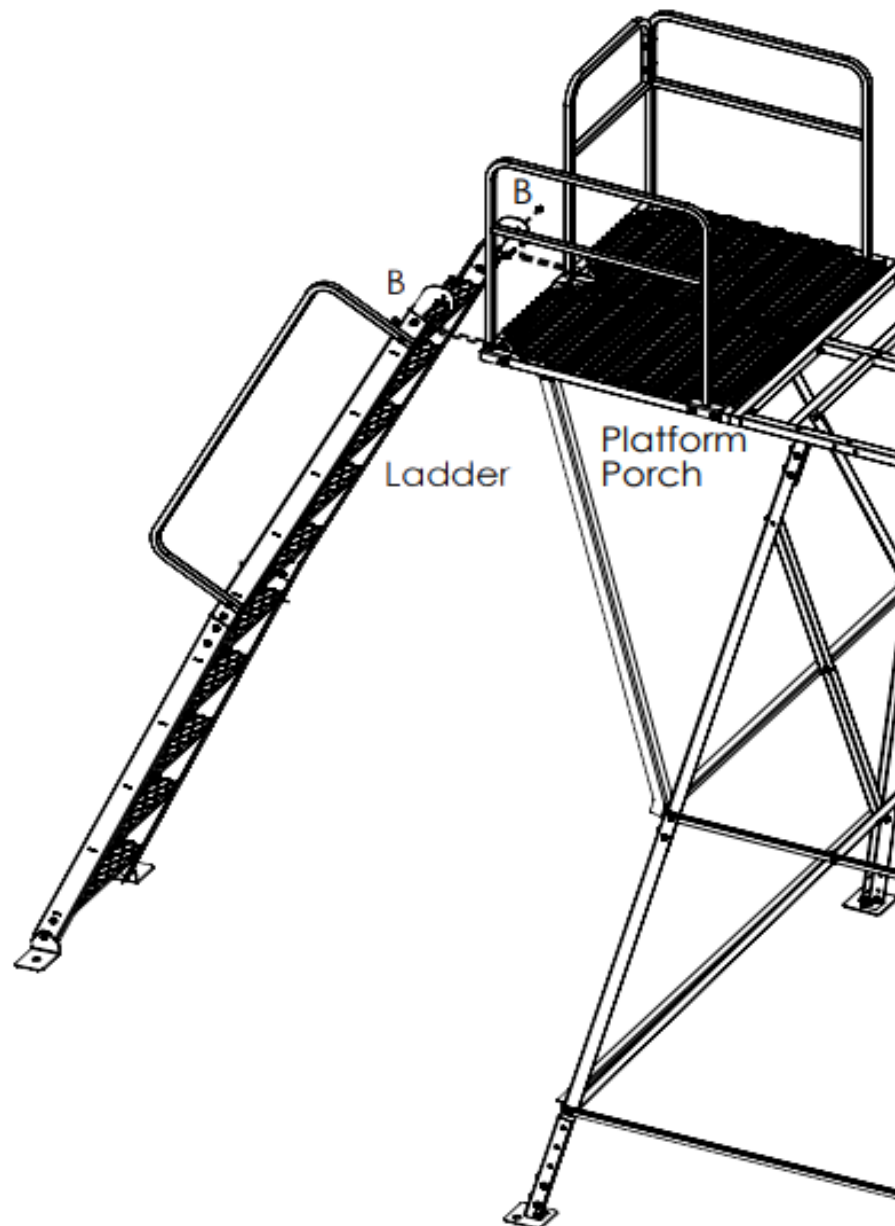
FINAL STEP – INSTALL LADDER

Insert the ladder into the designated slots on the platform base. Confirm that the ladder connectors sit **flush against the platform base surface**.

Secure the ladder using:

- (2) 3/8"-16 × 1.75 in. bolts. [B]

Tighten the hardware until the ladder is firmly attached and no movement is present.

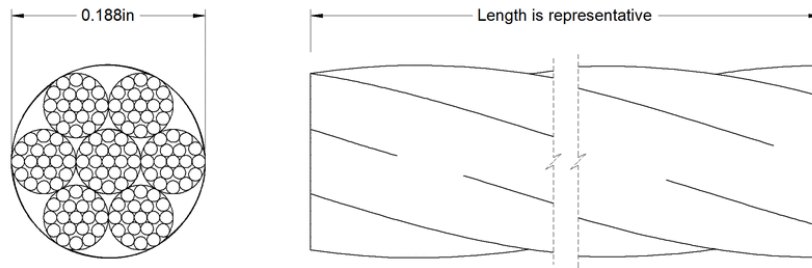


TIE-DOWN ANCHOR

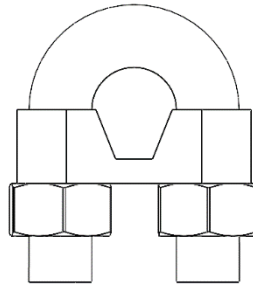
HARDWARE LIST

PART - QTY

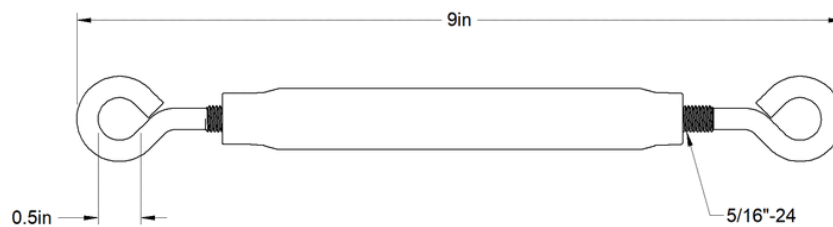
Wire Rope - 1



Wire Rope Clamps - 4



Turnbuckle - 1

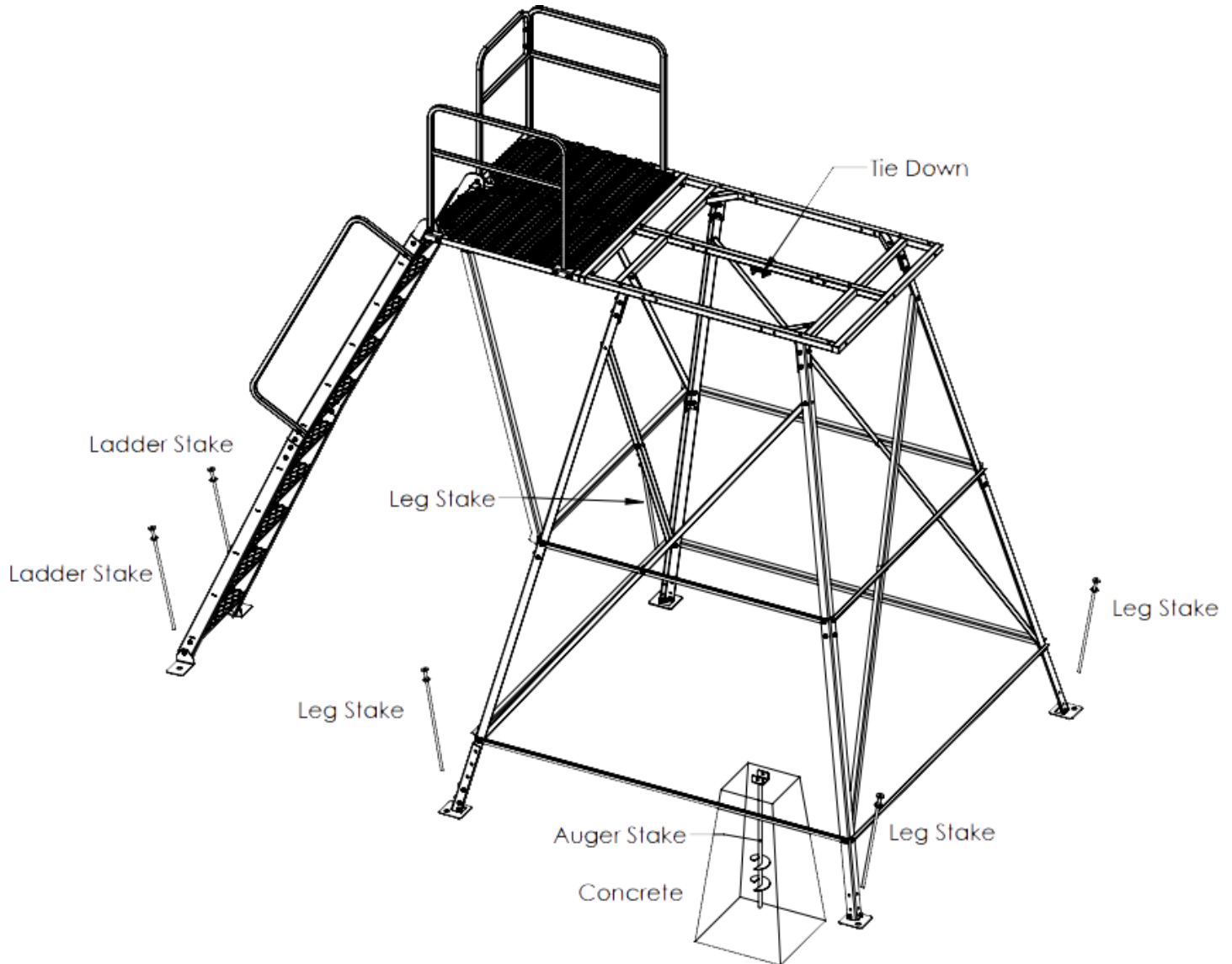


25 TIE-DOWN ANCHOR INSTRUCTIONS

RSI OUTDOORS™ ELITE 5 FT TOWER SYSTEMS

(APPLIES TO 5 FT TOWER AND 5 FT TOWER EXTENSION CONFIGURATIONS)

WARNING! Never use or hunt from a tower that is not level and stable. If the structure appears tilted, angled, unstable, or otherwise out of level, stop use immediately. Reposition and adjust the tower until it is properly leveled and secure. Failure to follow this warning may result in serious injury or death.



STEP 1 – STAKE THE TOWER LEGS

Secure the tower to the ground using **four (4) leg stakes**.

Drive each stake into the soil at a **slight angle**, not straight down. Angling the stake improves holding strength. Drive each stake until the head of the stake rests firmly against the tower leg foot.

TIE-DOWN ANCHOR INSTRUCTIONS 26

STEP 2 – LOCATE ANCHOR POINT

Identify the ground location directly below the tie-down hook on the underside of the platform base. This can be done by lowering a weighted object attached to a string from the hook point to the ground to ensure proper alignment.

STEP 3 – AUGER INSTALLATION IN UNDISTURBED SOIL

If the tower is positioned over solid, undisturbed soil, the auger anchor may be installed directly into the ground. Twist the auger stake downward until only the top portion of the anchor remains visible above the surface.

Tip: Removing grass and vegetation before installation will make insertion easier.

If installing in this manner, proceed directly to **Step 8**.

STEP 4 – AUGER INSTALLATION IN SOFT OR LOOSE SOIL

If soil conditions are loose, sandy, or otherwise unable to securely hold the auger stake, installation using concrete is required. Continue with **Steps 5–7**.

STEP 5 – EXCAVATE ANCHOR HOLE

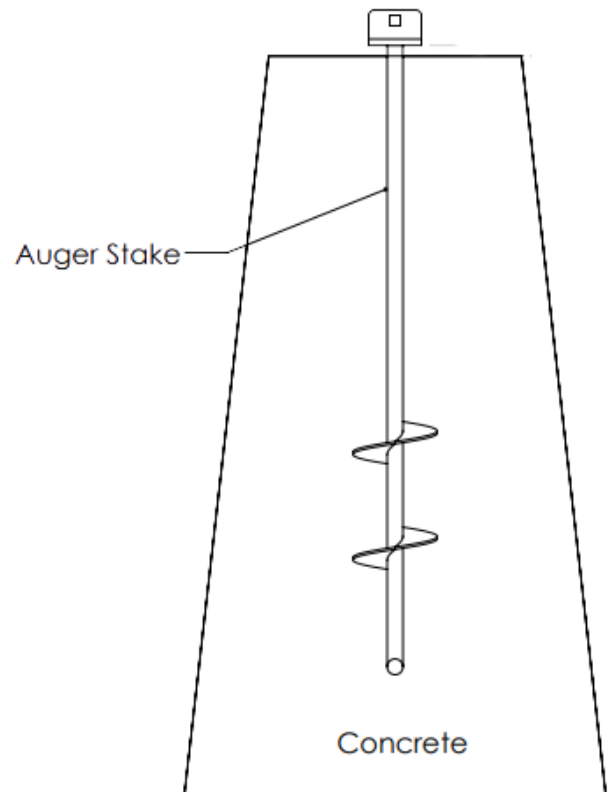
Dig a hole approximately **12 inches in diameter and 30 inches deep**. Shape the bottom portion of the hole to flare outward to roughly **20 inches in diameter** to improve anchor stability.

STEP 6 – POSITION THE AUGER STAKE

Place the auger stake into the hole so that the **bracket end extends above ground level**. To keep the stake upright during concrete placement, a temporary support (such as a stick or rod) may be placed through the bracket and rested across the hole opening.

STEP 7 – SET ANCHOR IN CONCRETE

Pour concrete into the hole around the auger stake, taking care not to shift its position. Fill the hole until the concrete is level with the surrounding ground surface. Allow the concrete to **be fully cured** before proceeding with the remaining installation steps.



27 TIE-DOWN ANCHOR INSTRUCTIONS

STEP 8 – ATTACH WIRE ROPE TO THE STAND

Connect the wire rope to the tie-down location on the bottom of the platform base. Make a loop with the wire rope and secure it with two wire rope clamps, tighten adequately to prevent the rope from slipping. Insert the 3/8"16 X 3.5" [E] bolt through the first hole in the tie-down bracket, then through the wire loop, then through the last hole on the tie-down bracket, and tighten down with a nut.

STEP 9 – ATTACH TURNBUCKLE TO AUGER

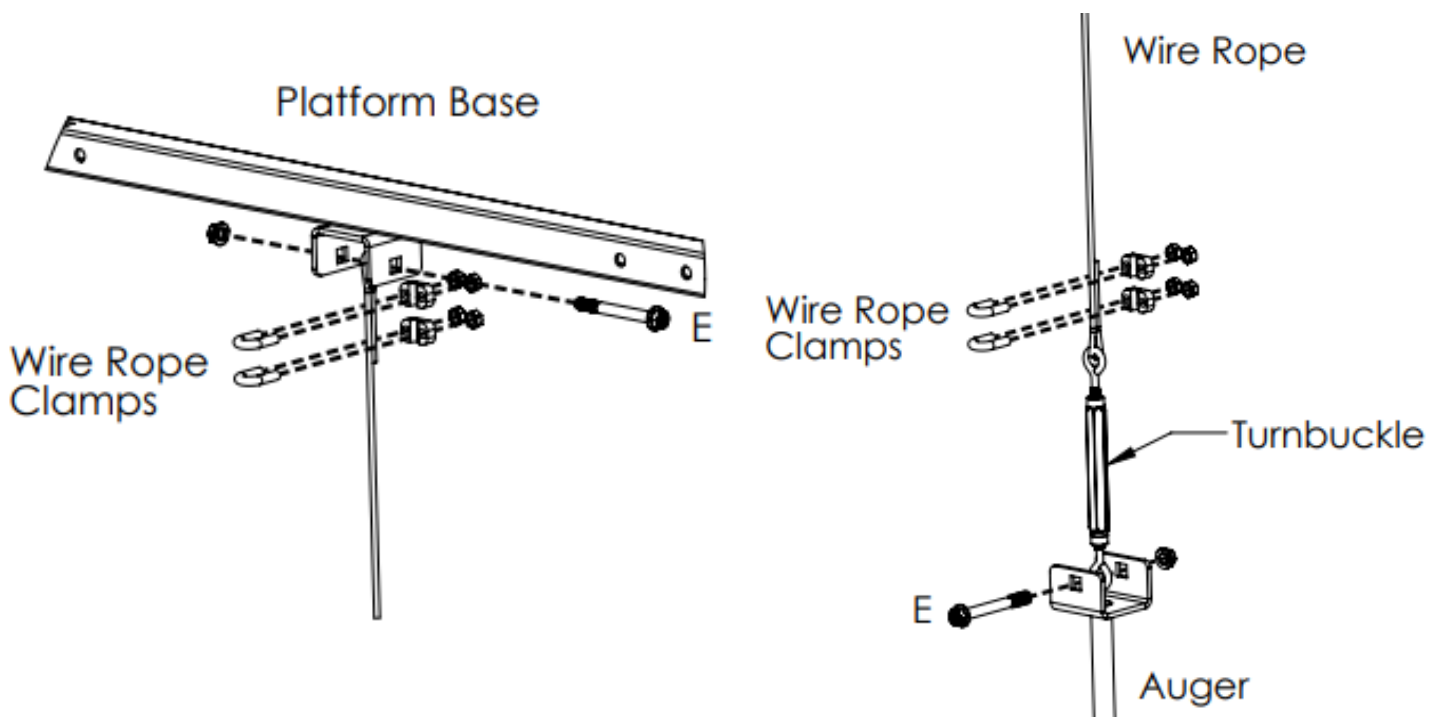
Extend the turnbuckle to its maximum length. Thread the 3/8"16 X 3.5" [E] bolt through the first hole in the auger bracket, then the bottom eye on the turnbuckle, then the last hole in the auger bracket, then tighten down with a nut.

STEP 11 – ATTACH THE CABLE TO THE TURNBUCKLE

String the wire rope through the opposite eye of the turnbuckle. Pull the rope tight and secure it with two rope cable clamps, tighten adequately to prevent the cable from slipping.

STEP 12 – TIGHTEN THE TURNBUCKLE

Hold the eye of the turnbuckle and tighten it so that it tightens both hooks equally.



7'X7' BASE EXTENSION INSTRUCTIONS 28

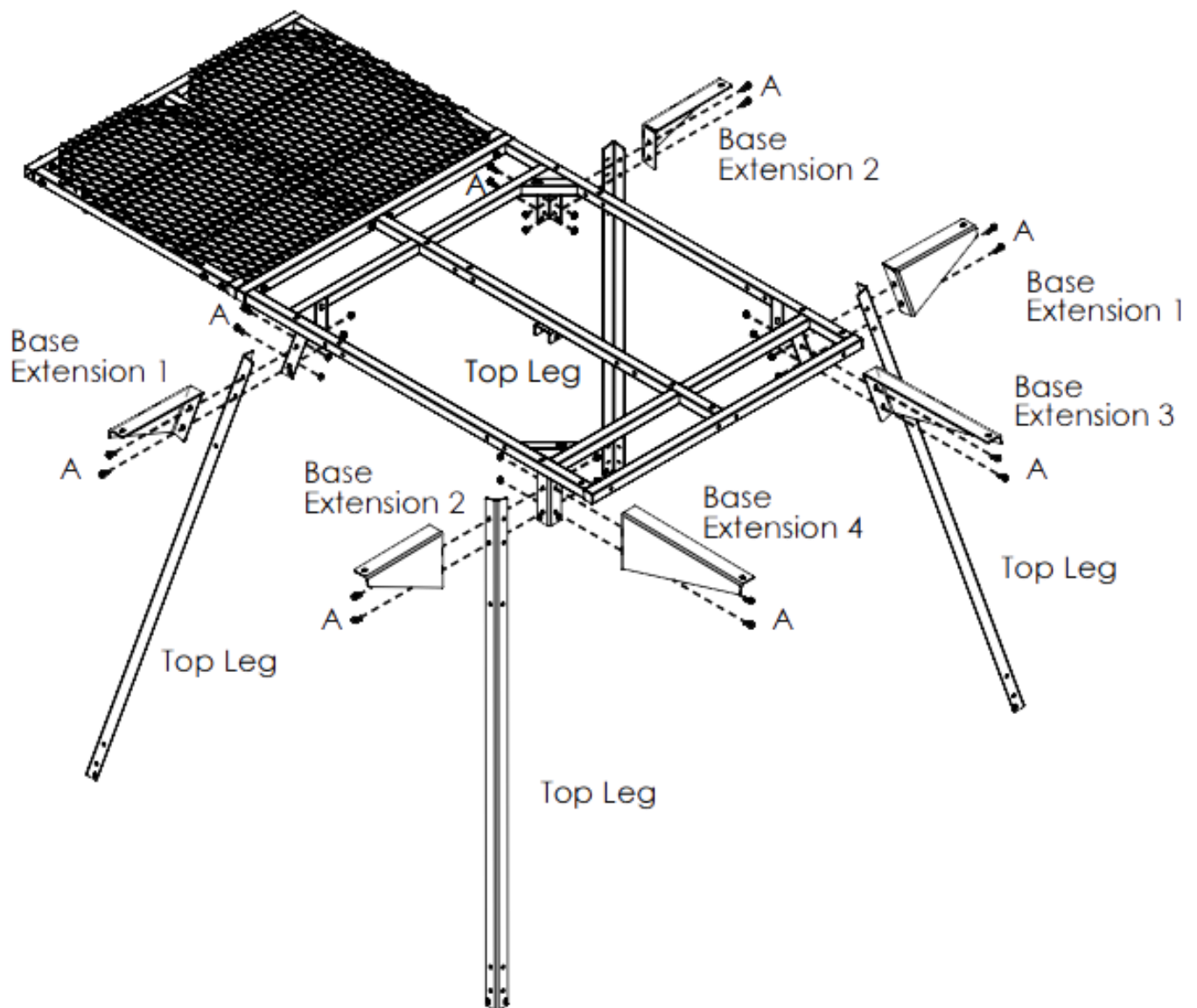
7X7 BASE EXTENSION – BLIND7X7-B-EXT

STEP 1 –

INSTALL LEGS AND BASE EXTENSIONS

Attach the **top legs and base extensions 1, 2, 3, and 4** in their respective positions using the following hardware:

- (16) 3/8"-16 X 1" bolts [A]



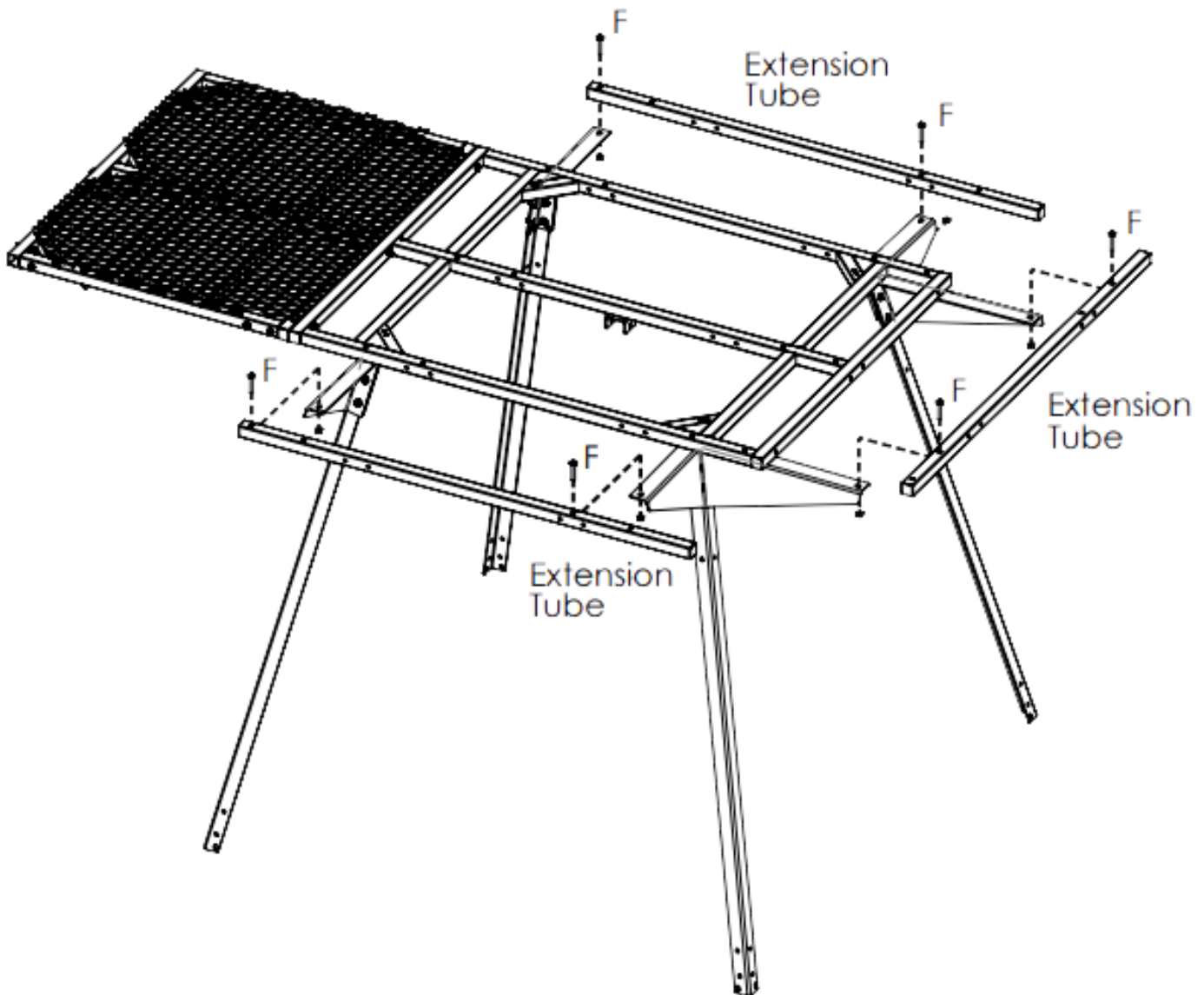
NOTE: THE BASE EXTENSION AND TOP LEG MOUNTING HOLES SHARE THE SAME BOLT.

STEP 2 –

INSTALL THE EXTENSION TUBES

Attach the (3) extension tubes to **the end of the base extensions** using the following hardware:

- **(6)** 3/8"-16 X 2.25" carriage bolts **[F]**





2555 DELTA ROAD BROGUE, PA 17309 (HQ) 717-927-1555

22874 K138 HWY PAXICO, KS 66526 785-499-3900

MAIL@RSIOUTDOORS.COM

WWW.RSIOUTDOORS.COM
